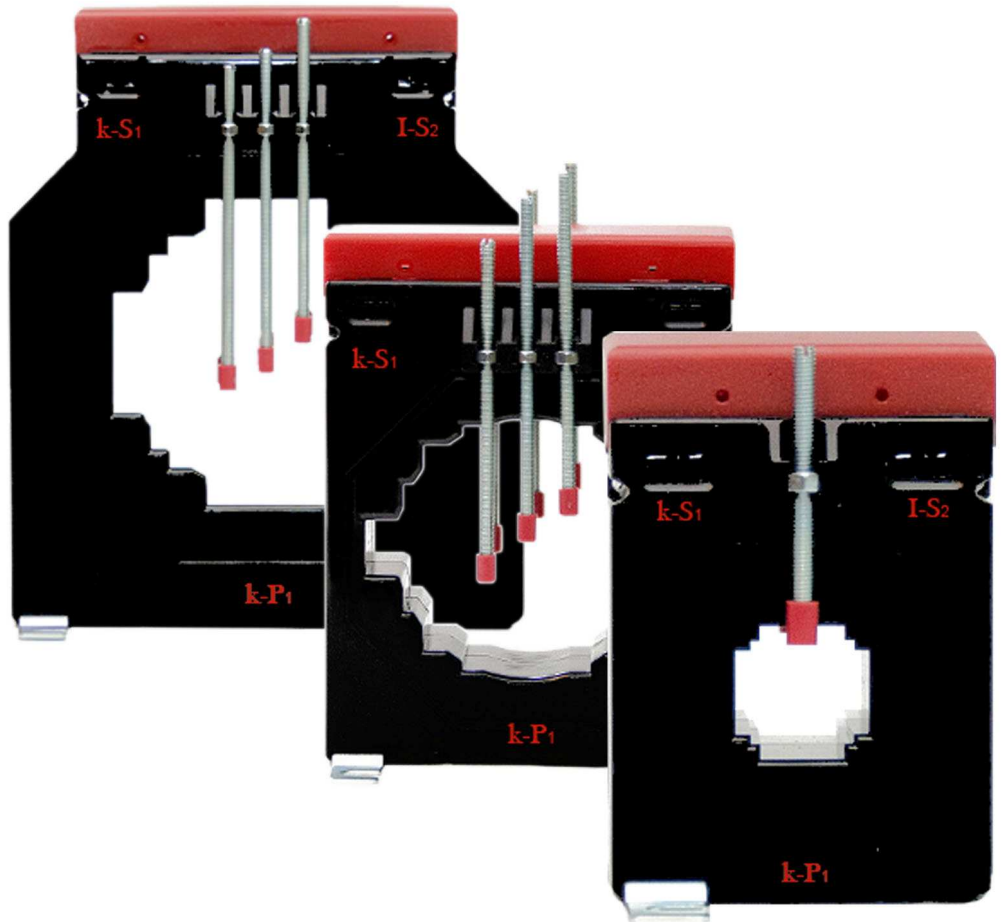




Low-voltage transformers SVT series

CURRENT TRANSFORMERS



www.vikodek.com

ČSN EN 60044-1 IEC 60044-1 IEC 185 VDE 0414/1

Content

Low-voltage transformers SVT series	3
Measuring current transformer SVT-60/A	5
Measuring current transformer SVT-60/B	7
Measuring current transformer SVT-60/C	9
Measuring current transformer SVT-80/A	11
Measuring current transformer SVT-80/B	13
Measuring current transformer SVT-80/C	15
Measuring current transformer SVT-80/D	18
Measuring current transformer SVT-110/A	20
Measuring current transformer SVT-110/B	23
Measuring current transformer SVT-110/C	26
Measuring current transformer SVT-125/A	29
Measuring current transformer SVT-125/B	32
Measuring current transformer SVT-155/A	35
Measuring current transformer SVT-155/B	38
Measuring current transformer SVT-155/C	41
Contact us	44

CURRENT TRANSFORMER

Measuring transformers SVT series from Vikodek Ltd. are to be used for small objects of voltage distribution with maximum voltage 0,72 kV and rated primary current 3000A. Standard nominal current of transformer secondary coil is 5A or 1A. Active parts of transformers are enclosed in standard plastic cases. Transformers are to be used for start. Number and position of primary conductors is defined by the level of primary current. Secondary terminals are situated at the top of transformer under plastic cover with the possibility of sealing.

Accuracy classes:

0,2; 0,2s – for laboratory measurement and kilowatt-hours measurement;

0,5; 0,5s – for precise kilowatt-hours measurement;

1 – for digital panel meters;

3 – other not so precise measurements.

Transformers are encapsulated in plastic cases made of high quality fire-resistant plastic. All employed materials correspond to temperature class E.

SVT series transformers comply with international standards ČSN EN 60044-1 and IEC 60044-1 as well as with most foreign standards and international recommendation IEC 185, VDE 0414/1

Product range of company VIKODEK consist of the next products:

Type	Rated primary current
SVT-60/A	40-300
SVT-60/B	50-300
SVT-60/C	50-400
SVT-80/A	50-600
SVT-80/B	50-400
SVT-80/C	50-800
SVT-80/D	100-750
SVT-110/A	60-1000
SVT-110/B	100-1250
SVT-110/C	100-1600
SVT-125/A	100-1600
SVT-125/B	200-2000
SVT-155/A	200-2000
SVT-155/B	200-3000
SVT-155/C	200-3000



CURRENT TRANSFORMER

**Interior consumption of current in Cu line under
1A[VA]**

	10m	20m	40m	60m	80m	100m
1.0mm ²	0.37	0.70	1.50	2.20	3.00	3.70
1.5 mm ²	0.25	0.50	1.00	1.50	2.00	2.50
2.5 mm ²	0.15	0.30	0.60	0.90	1.20	1.50
4.0 mm ²	0.09	0.20	0.40	0.50	0.70	0.90
6.0 mm ²	0.03	0.06	0.12	0.18	0.24	0.30

**Interior consumption of current in Cu line under
5A[VA]**

	1m	2m	4m	6m	8m	10m
1.0mm ²	0.92	1.84	3.67	5.51	7.34	9.20
1.5 mm ²	0.61	1.23	2.45	3.68	4.90	6.10
2.5 mm ²	0.37	0.74	1.47	2.21	2.94	3.70
4.0 mm ²	0.23	0.47	0.53	1.40	1.86	2.30
6.0 mm ²	0.15	0.30	0.60	0.89	1.19	1.50

Admissible current error and angular misalignment for current transformers

Accuracy class	+ Current error (%) (under nominal primary current in %)						+ Angular misalignmen (min) (under nominal primary current in %)					
	1	5	20	50	100	120	1	5	20	50	100	120
0,2s	0,75	0,35	0,2	-	0,2	0,2	0,9	0,45	0,3	-	0,3	0,3
0,2	-	0,75	0,35	-	0,2	0,2	-	0,9	0,45	-	0,3	0,3
0,5s	1,5	0,75	0,5	-	0,5	0,5	2,7	1,35	0,9	-	0,9	0,9
0,5	-	1,5	0,75	-	0,5	0,5	-	2,7	1,33	-	0,9	0,9
1	-	3	1,5	-	1	1	-	5,4	2,7	-	1,8	1,8
3	-	-	-	3	-	3	-	-	-	-	-	-

Technical characteristics of SVT transformers

Rated voltage:	0,72kV
Test voltage:	3 kV/1 min/50Hz
Rated primary current I_{1N} :	(1-3000) A
Rated secondary current:	(5 nebo 1) A
Accuracy class:	0,2; 0,2s; 0,5; 0,5s; 1; 3
Rated burden:	1;1,5;2,5;3,5;5;7,5;10;12,5;15;20;30;45;60 VA
Continuous overcurrent:	1,2 x I_N
Thermal short circuit current I_{th} :	60 x I_N
Dynamic short circuit current I_{dyn} :	2,5 x I_{th}
Operating frequency:	(50-60) Hz
Instrument security factor FS :	5; 10
Thermal category insulation:	E (120°C max)
Ambient temperature:	-20°C + 45°C
Storage temperature:	-50°C + 80°C
Standard:	ČSN EN 60044-1; IEC 60044-1; IEC 185;

Order specification:

Transformer name + Primary current + Secondary current + Accuracy class + Output + Code

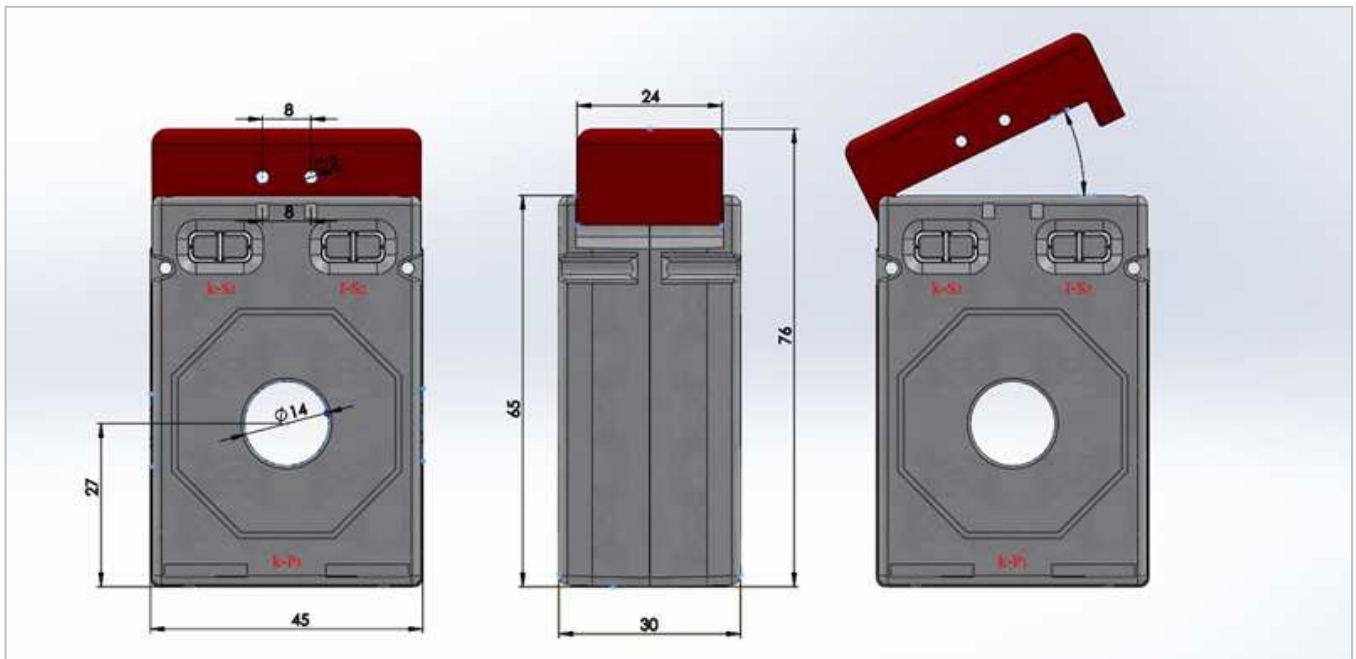


CURRENT TRANSFORMER

SVT-60/A

Technical parameters:

Primary current: 40A-300A
 Secondary current: 5A or 1A
 Accuracy classes: 0,5....3
 Output: max 7,5VA
 Hole size: hole \varnothing 14mm
 Rated current: 720V
 Nominal frequency: 50-60Hz
 Operating temperature: $-20^{\circ}\text{C} + 45^{\circ}\text{C}$
 Insulation class: E (120°C max)
 Tested under voltage: 3 kV/1 min/50Hz
 Instrument security factor (FS): 5; 10
 Weight: 200 - 260 g.





CURRENT TRANSFORMER

Transformers – series SVT-60/A

Primary current A	Output VA	Secondary current 1A			Secondary current 5A		
		Accuracy class			Accuracy class		
		0,5	1	3	0,5	1	3
		Code	Code	Code	Code	Code	Code
40	1			1001			1001-5A
50	1		1002			1002-5A	
	1,5			1003			1003-5A
60	1,5		1004	1005		1004-5A	1005-5A
75	1,5		1006			1006-5A	
	2,5			1007			1007-5A
80	1,5		1008			1008-5A	
	2,5			1009			1009-5A
100	1,5	1010			1010-5A		
	2,5		1011			1011-5A	
	3,75			1012			1012-5A
125	1,5	1013			1013-5A		
	3,75		1014	1015		1014-5A	1015-5A
	5			1016			1016-5A
150	2,5	1017			1017-5A		
	5		1018	1019		1018-5A	1019-5A
200	3,75	1020			1020-5A		
	5		1021			1021-5A	
	7,5			1022			1022-5A
250	5	1023	1024		1023-5A	1024-5A	
	7,5		1025	1026		1025-5A	1026-5A
300	5	1027	1028		1027-5A	1028-5A	
	7,5		1029			1029-5A	

Important:

Upon request it is possible to manufacture current transformers types that differ from those in the table.

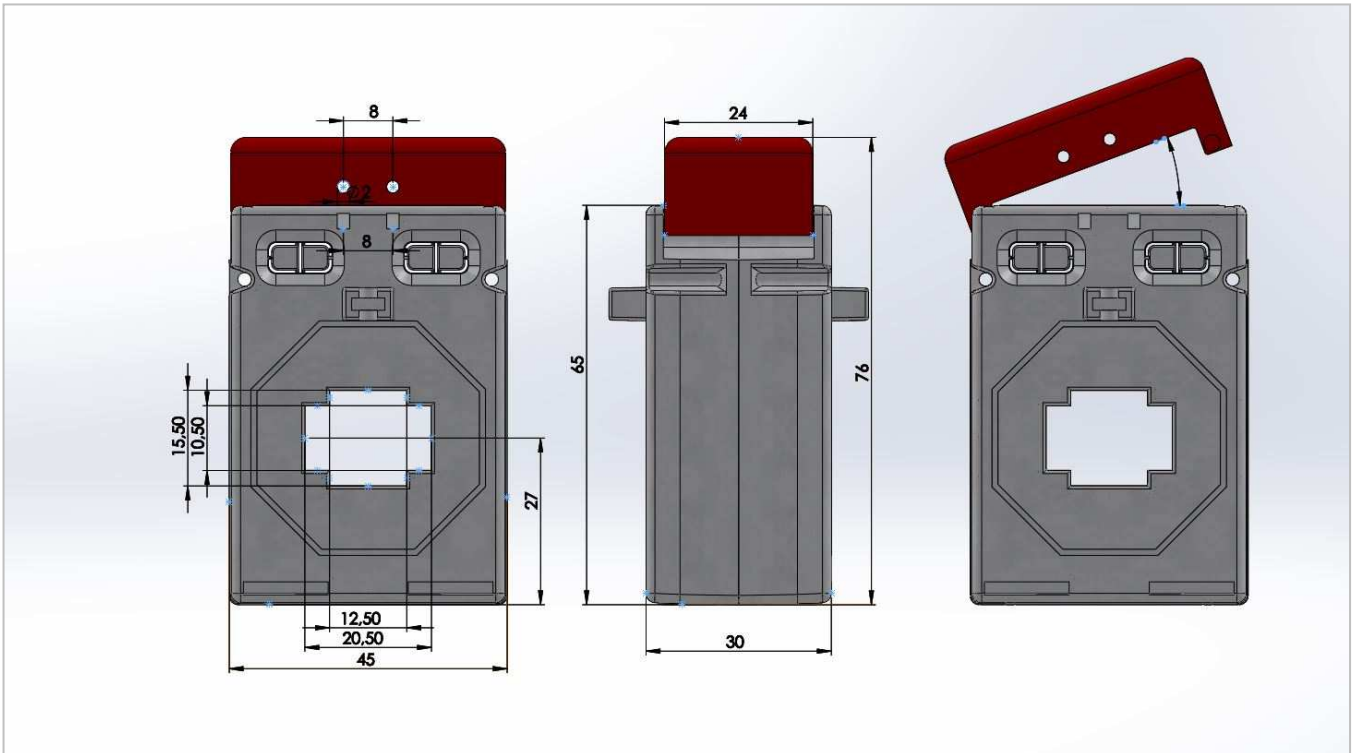
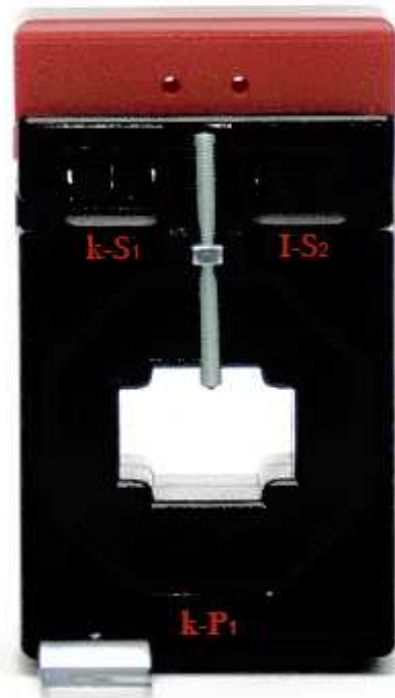
Order specification:

Transformer name + Primary current + Secondary current + Accuracy class + Output + Code

SVT-60/B

Technical parameters:

- Primary current: 50A-300A
- Secondary current: 5A or 1A
- Accuracy classes: 0,5....3
- Output: max 5VA
- Hole size: hole 20x10mm
- Rated current: 720V
- Nominal frequency: 50-60Hz
- Operating temperature: -20°C + 45°C
- Insulation class: E (120°C max)
- Tested under voltage: 3 kV/1 min/50Hz
- Instrument security factor (FS): 5; 10
- Weight: 160 - 210 g.





CURRENT TRANSFORMER

Transformers – series SVT-60/B

Primary current	Output	Secondary current 1A			Secondary current 5A		
		Accuracy class			Accuracy class		
		0,5	1	3	0,5	1	3
A	VA	Code	Code	Code	Code	Code	Code
50	1		1030			1030-5A	
	1,5			1031			1031-5A
60	1		1032			1032-5A	
	1,5			1033			1033-5A
75	1,5		1034	1035		1034-5A	1035-5A
80	1	1036			1036-5A		
	1,5		1037	1038		1037-5A	1038-5A
100	1,5	1039			1039-5A		
	2,5		1040	1041		1040-5A	1041-5A
125	1,5	1042			1042-5A		
	2,5		1043	1044		1043-5A	1044-5A
150	1,5	1045			1045-5A		
	2,5		1046	1047		1046-5A	1047-5A
200	2,5	1048	1049		1048-5A	1049-5A	
250	1,5	1050			1050-5A		
	2,5	1051			1051-5A		
	3,75		1052	1053		1052-5A	1053-5A
300	2,5	1054	1055		1054-5A	1055-5A	
	3,75		1056	1057		1056-5A	1057-5A

Important:

Upon request it is possible to manufacture current transformers types that differ from those in the table.

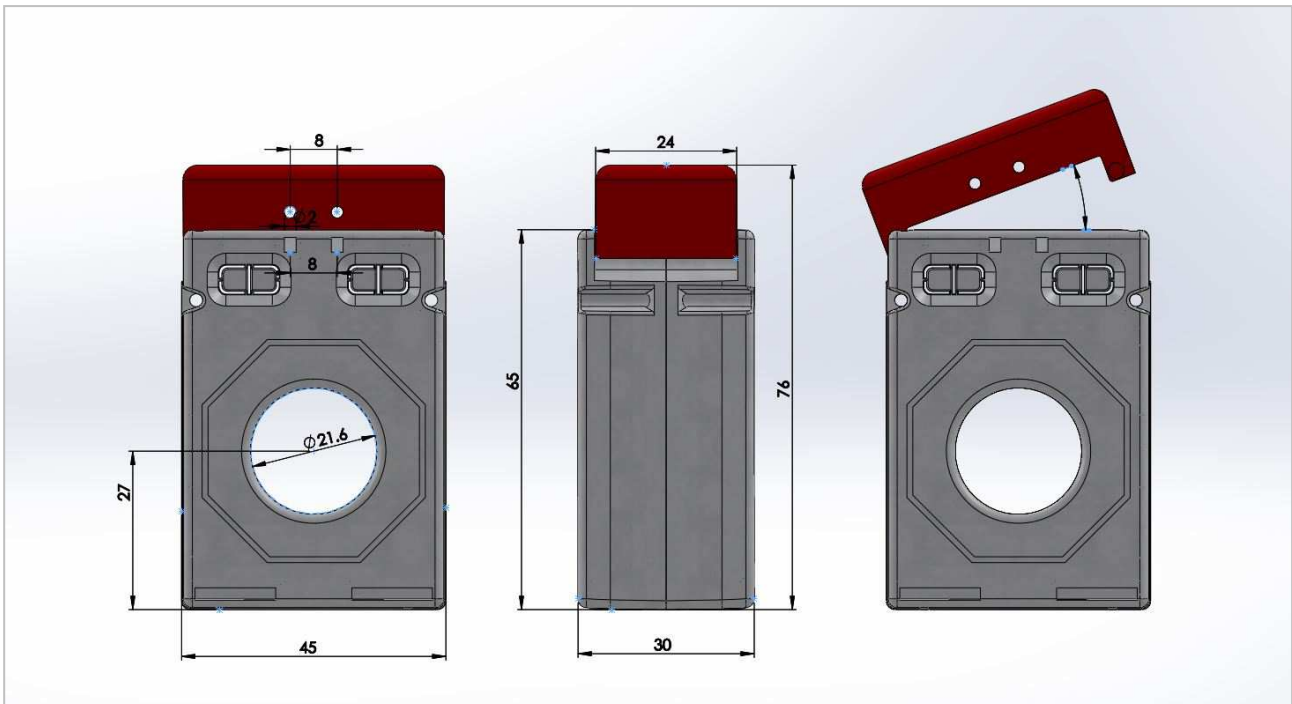
Order specification:

Transformer name + Primary current + Secondary current + Accuracy class + Output + Code

SVT-60/C

Technical parameters:

- Primary current: 50A-400A
- Secondary current: 5A or 1A
- Accuracy classes: 0,5....3
- Output: max 5VA
- Hole size: hole Ø 21mm
- Rated current: 720V
- Nominal frequency: 50-60Hz
- Operating temperature: -20°C + 45°C
- Insulation class: E (120°C max)
- Tested under voltage: 3 kV/1 min/50Hz
- Instrument security factor (FS): 5; 10
- Weight: 160 - 210 g.





CURRENT TRANSFORMER

Transformers – series SVT-60/C

Primary current A	Output VA	Secondary current 1A			Secondary current 5A		
		Accuracy class			Accuracy class		
		0,5	1	3	0,5	1	3
		Code	Code	Code	Code	Code	Code
50	1		1058			1058-5A	
	1,5			1059			1059-5A
60	1		1060			1060-5A	
	1,5			1061			1061-5A
75	1,5		1062	1063		1062-5A	1063-5A
80	1	1064			1064-5A		
	1,5		1065	1066		1065-5A	1066-5A
100	1,5	1067			1067-5A		
	2,5		1068	1069		1068-5A	1069-5A
125	1,5	1070			1070-5A		
	2,5		1071	1072		1071-5A	1072-5A
150	1,5	1073			1073-5A		
	2,5		1074	1075		1074-5A	1075-5A
	3,75		1076			1076-5A	
200	2,5	1077	1078		1077-5A	1078-5A	
	3,75			1079			1079-5A
250	1,5	1080			1080-5A		
	2,5	1081			1081-5A		
	3,75		1082	1083		1082-5A	1083-5A
300	2,5	1084	1085		1084-5A	1085-5A	
	3,75		1086	1087		1086-5A	1087-5A
	5			1088			1088-5A
400	3,75	1089			1089-5A		
	5		1090	1091		1090-5A	1091-5A

Important:
Upon request it is possible to manufacture current transformers types that differ from those in the table.

Order specification:
 Transformer name + Primary current + Secondary current + Accuracy class + Output + Code

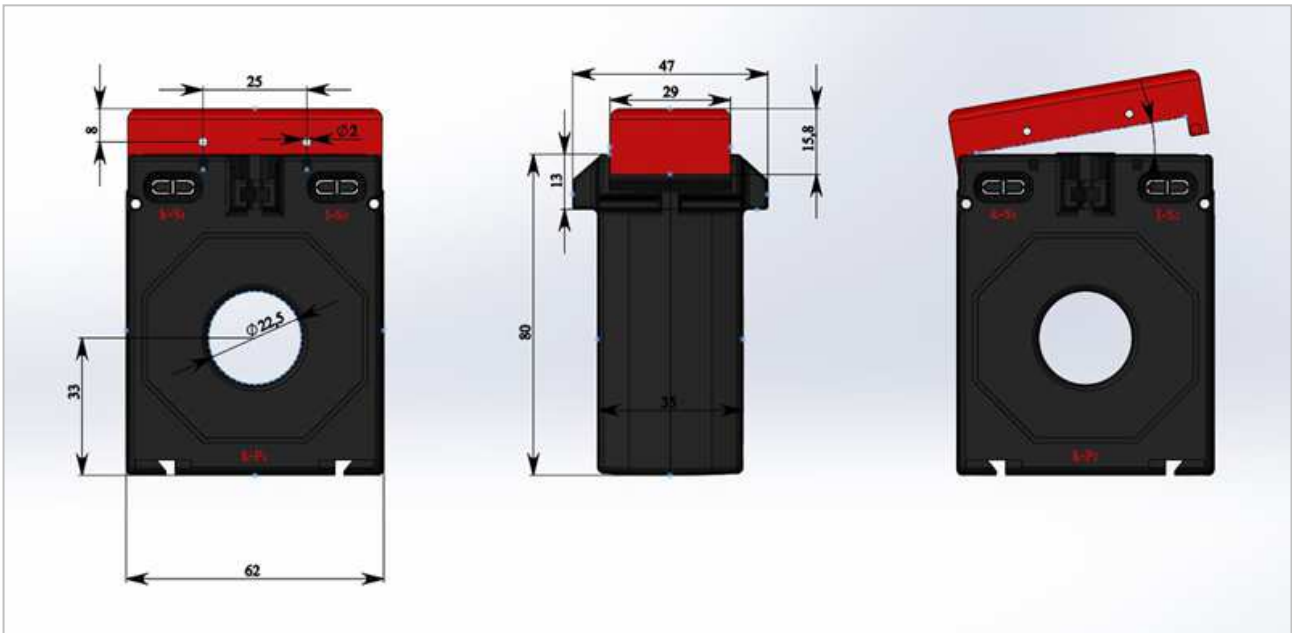
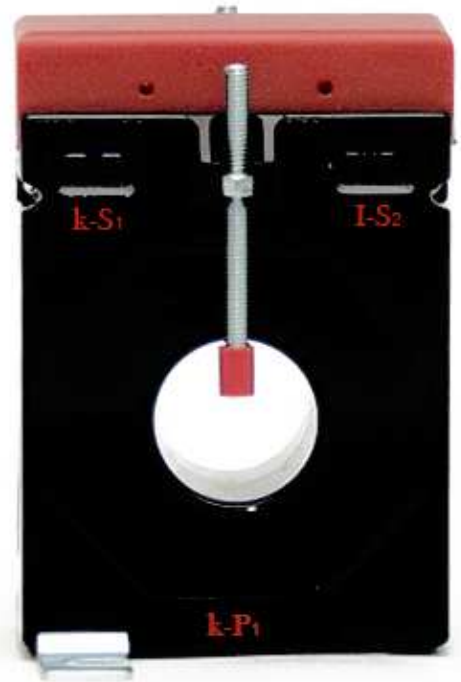


CURRENT TRANSFORMER

SVT-80/A

Technical parameters:

- Primary current: 50A-600A
- Secondary current: 5A or 1A
- Accuracy classes: 0,2....3
- Output: max 16VA
- Hole size: hole \varnothing 22mm
- Rated current: 720V
- Nominal frequency: 50-60Hz
- Operating temperature: -20°C + 45°C
- Insulation class: E (120°C max)
- Tested under voltage: 3 kV/1 min/50Hz
- Instrument security factor (FS): 5; 10
- Weight: 355 - 425 g.





CURRENT TRANSFORMER

Transformers – series SVT-80/A

Primary current	Output	Secondary current 1A					Secondary current 5A				
		Accuracy class					Accuracy class				
		0,2s	0,2	0,5	1	3	0,2s	0,2	0,5	1	3
A	VA	Code	Code	Code	Code	Code	Code	Code	Code	Code	Code
50	1,5				2001					2001-5A	
	2,5					2002					2002-5A
60	1,5				2003					2003-5A	
	2,5					2004					2004-5A
75	2,5				2005					2005-5A	
	3,75				2006					2006-5A	
	5					2007					2007-5A
80	1,5			2008					2008-5A		
	2,5				2009					2009-5A	
	3,75				2010					2010-5A	
	5					2011					2011-5A
100	2,5			2012					2012-5A		
	5				2013	2014				2013-5A	2014-5A
125	3,75			2015					2015-5A		
	5				2016					2016-5A	
	7,5					2017					2017-5A
150	1,5		2018						2018-5A		
	3,75			2019					2019-5A		
	5				2020					2020-5A	
	7,5				2021					2021-5A	
200	1,5		2022						2022-5A		
	5			2023	2024				2023-5A	2024-5A	
	7,5			2025					2025-5A		
	10				2026					2026-5A	
250	1,5		2027						2027-5A		
	5			2028	2029				2028-5A	2029-5A	
	10			2030	2031				2030-5A	2031-5A	
	12,5				2032					2032-5A	
300	2,5		2033						2033-5A		
	5			2034	2035				2034-5A	2035-5A	
	10			2036	2037				2036-5A	2037-5A	
	12,5				2038					2038-5A	
400	5		2039	2040	2041				2039-5A	2040-5A	2041-5A
	7,5		2042						2042-5A		
	10			2043	2044				2043-5A	2044-5A	
	15			2045	2046				2045-5A	2046-5A	
500	5		2047	2048	2049				2047-5A	2048-5A	2049-5A
	10		2050	2051	2052				2050-5A	2051-5A	2052-5A
	15			2053	2054				2053-5A	2054-5A	
600	5		2055	2056	2057				2055-5A	2056-5A	2057-5A
	10		2058	2059	2060				2058-5A	2059-5A	2060-5A
	15			2061	2062				2061-5A	2062-5A	

Important:

Upon request it is possible to manufacture current transformers types that differ from those in the table.

Order specification:

Transformer name + Primary current + Secondary current + Accuracy class + Output + Code

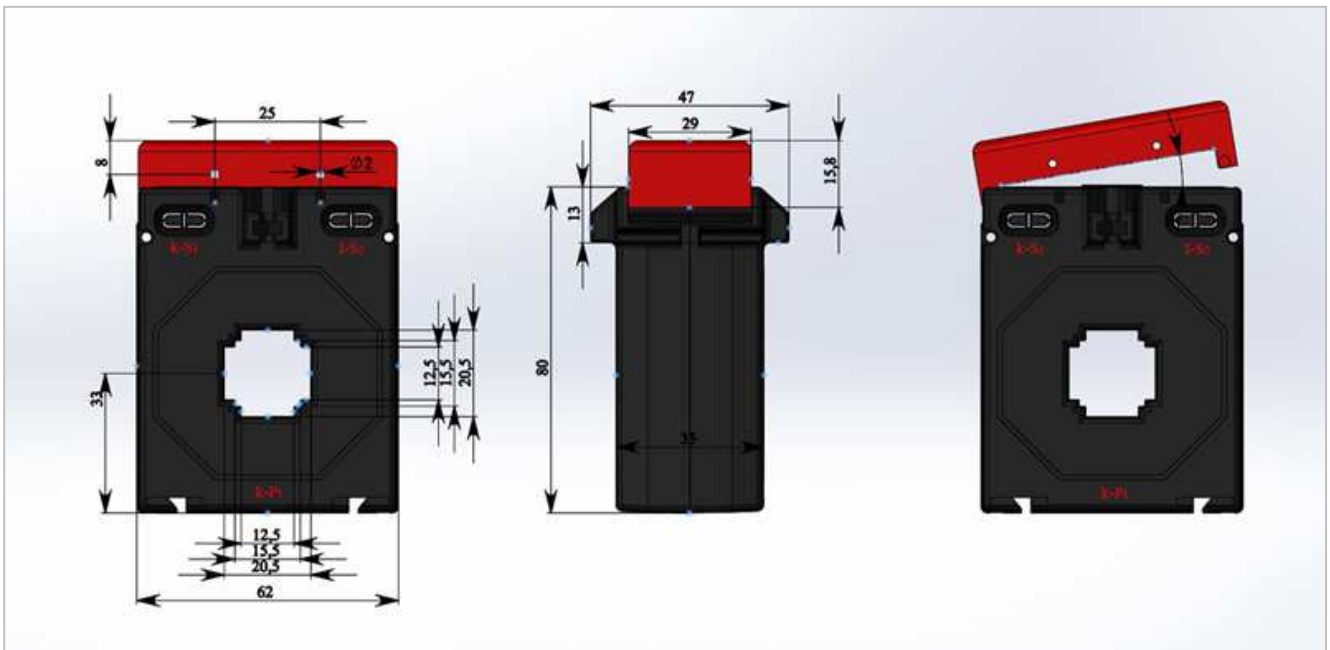
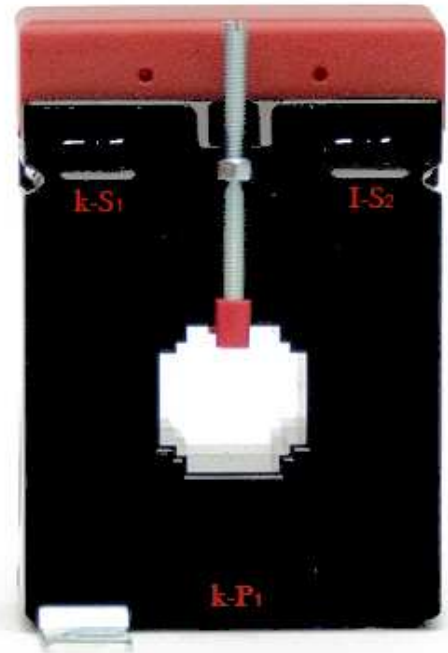


CURRENT TRANSFORMER

SVT-80/B

Technical parameters:

- Primary current: 50A-400A
- Secondary current: 5A or 1A
- Accuracy classes: 0,2s....3
- Output: max 15VA
- Hole size: hole 20x12,5mm
- Rated current: 720V
- Nominal frequency: 50-60Hz
- Operating temperature: -20°C + 45°C
- Insulation class: E (120°C max)
- Tested under voltage: 3 kV/1 min/50Hz
- Instrument security factor (FS): 5; 10
- Weight: 355 - 425 g.





CURRENT TRANSFORMER

Transformers – series SVT-80/B

Primary current	Output	Secondary current 1A						Secondary current 5A					
		Accuracy class						Accuracy class					
		0,2s	0,2	0,5s	0,5	1	3	0,2s	0,2	0,5s	0,5	1	3
A	VA	Code	Code	Code	Code	Code	Code	Code	Code	Code	Code	Code	Code
50	1,5					2063							2063-5A
	2,5						2064						2064-5A
60	1,5					2065							2065-5A
	2,5						2066						2066-5A
75	2,5					2067							2067-5A
	3,75						2068						2068-5A
80	1,5				2069						2069-5A		
	2,5					2070						2070-5A	
	3,75					2071	2072					2071-5A	2072-5A
100	1,5	2073	2075	2074		2077		2073-5A	2075-5A	2074-5A		2077-5A	
	2,5				2076						2076-5A		
	3,75						2078						2078-5A
120	1,5	2079	2081	2080		2083		2079-5A	2081-5A	2080-5A		2083-5A	
	3,75				2082						2082-5A		
	5						2084						2084-5A
150	1,5	2086	2088	2087				2086-5A	2088-5A	2087-5A			
	2,5			2089						2089-5A			
	3,75				2090						2090-5A		
200	1,5	2093	2094					2093-5A	2094-5A				
	2,5	2095	2097	2096				2095-5A	2097-5A	2096-5A			
	3,75		2099	2098		2100	2101		2099-5A	2098-5A	2100-5A	2101-5A	
250	1,5	2104	2106	2105				2104-5A	2106-5A	2105-5A			
	2,5	2107	2109	2108				2107-5A	2109-5A	2108-5A			
	3,75	2110		2111				2110-5A		2111-5A			
300	1,5				2112	2113					2112-5A	2113-5A	
	2,5				2114	2115					2114-5A	2115-5A	
	3,75					2116					2116-5A		
300	2,5	2117	2119	2118				2117-5A	2119-5A	2118-5A			
	3,75	2120		2121				2120-5A		2121-5A			
	5		2122		2123	2124			2122-5A		2123-5A	2124-5A	
400	10				2125	2126					2125-5A	2126-5A	
	12,5					2127						2127-5A	
	2,5	2128						2128-5A					
400	3,75	2129		2130				2129-5A		2130-5A			
	5		2131		2132	2133			2131-5A		2132-5A	2133-5A	
	7,5		2134						2134-5A				
400	10				2135	2136					2135-5A	2136-5A	
	15					2137						2137-5A	

Important:

Upon request it is possible to manufacture current transformers types that differ from those in the table.

Order specification:

Transformer name + Primary current + Secondary current + Accuracy class + Output + Code

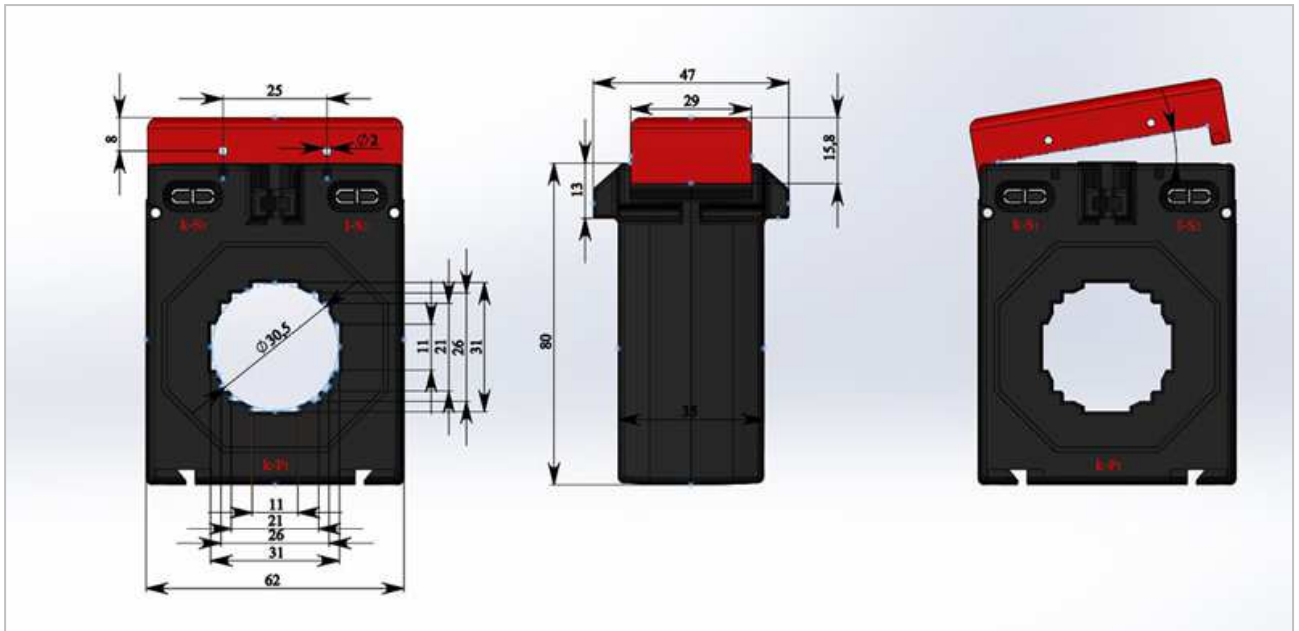
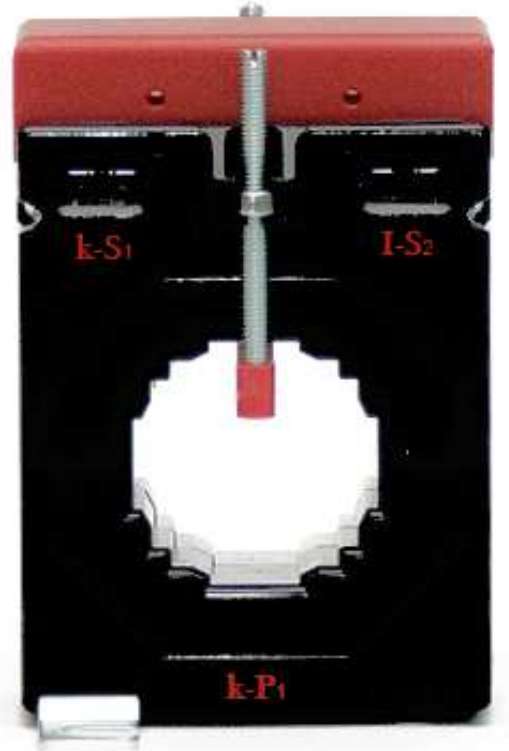


CURRENT TRANSFORMER

SVT-80/C

Technical parameters:

- Primary current: 50A-800A
- Secondary current: 5A or 1A
- Accuracy classes: 0,2s....3
- Output: max 15VA
- Hole size: hole 30x10mm
- Rated current: 720V
- Nominal frequency: 50-60Hz
- Operating temperature: -20°C + 45°C
- Insulation class: E (120°C max)
- Tested under voltage: 3 kV/1 min/50Hz
- Instrument security factor (FS): 5; 10
- Weight: 210 - 385 g.





CURRENT TRANSFORMER

Transformers – series SVT-80/C

Primary current	Output	Secondary current 1A						Secondary current 5A						
		Accuracy class						Accuracy class						
		0,2s	0,2	0,5s	0,5	1	3	0,2s	0,2	0,5s	0,5	1	3	
A	VA	Code	Code	Code	Code	Code	Code	Code	Code	Code	Code	Code	Code	
50	1					2138							2138-5A	
	1,5						2139							2139-5A
60	1,5					2140							2140-5A	
	2,5						2141							2141-5A
75	1,5					2142							2142-5A	
	2,5						2143							2143-5A
80	1,5					2144							2144-5A	
	3,75						2145							2145-5A
100	1	2146	2148	2147				2146-5A	2148-5A	2147-5A				
	1,5				2149						2149-5A			
	2,5					2150						2150-5A		
	5						2151						2151-5A	
125	1	2152	2153					2152-5A	2153-5A					
	1,5			2154						2154-5A				
	2,5				2155						2155-5A			
	3,75					2156						2156-5A		
	5						2157						2157-5A	
150	1,5	2158	2160	2159				2158-5A	2160-5A	2159-5A				
	3,75				2161						2161-5A			
	5					2162						2162-5A		
200	1,5	2163	2165	2164				2163-5A	2165-5A	2164-5A				
	2,5		2166						2166-5A					
	3,75				2167	2168					2167-5A	2168-5A		
	5				2169	2170					2169-5A	2170-5A		
	7,5					2171						2171-5A		
250	1,5	2172		2173				2172-5A		2173-5A				
	2,5	2174		2175				2174-5A		2175-5A				
	3,75		2176		2177	2178			2176-5A		2177-5A	2178-5A		
	5				2179	2180					2179-5A	2180-5A		
	7,5					2181						2181-5A		
300	1,5	2182	2184	2183				2182-5A	2184-5A	2183-5A				
	2,5		2186	2185					2186-5A	2185-5A				
	3,75		2187		2188				2187-5A		2188-5A			
	5				2189	2190					2189-5A	2190-5A		
	7,5				2191						2191-5A			
	10					2192						2192-5A		
400	1,5		2193						2193-5A					
	2,5	2194	2196	2195				2194-5A	2196-5A	2195-5A				
	3,75		2197						2197-5A					
	5		2198		2199	2200			2198-5A		2199-5A	2200-5A		
	7,5				2201						2201-5A			
10					2202						2202-5A			

Please see more options of current transformers at the next page



CURRENT TRANSFORMER

Transformers – series SVT-80/C

Primary current	Output	Secondary current 1A						Secondary current 5A					
		Accuracy class						Accuracy class					
		0,2s	0,2	0,5s	0,5	1	3	0,2s	0,2	0,5s	0,5	1	3
A	VA	Code	Code	Code	Code	Code	Code	Code	Code	Code	Code	Code	Code
500	2,5	2203		2204				2203-5A		2204-5A			
	3,75	2205	2207	2206				2205-5A	2207-5A	2206-5A			
	5		2208		2209	2210			2208-5A		2209-5A	2210-5A	
	10				2211	2212					2211-5A	2212-5A	
600	2,5	2213		2214				2213-5A		2214-5A			
	3,75	2215	2217	2216				2215-5A	2217-5A	2216-5A			
	5		2218		2219	2220			2218-5A		2219-5A	2220-5A	
	7,5		2221						2221-5A				
	10				2222	2223					2222-5A	2223-5A	
	15				2224	2225					2224-5A	2225-5A	
750	2,5	2226						2226-5A					
	3,75		2227						2227-5A				
	5	2228	2230	2229	2231	2232		2228-5A	2230-5A	2229-5A	2231-5A	2232-5A	
	7,5			2233						2233-5A			
	10		2234		2235	2236			2234-5A		2235-5A	2236-5A	
15				2237	2238					2237-5A	2238-5A		
800	5	2239	2241	2240	2242	2243		2239-5A	2241-5A	2240-5A	2242-5A	2243-5A	
	10		2245	2244	2246	2247			2245-5A	2244-5A	2246-5A	2247-5A	
	15				2248	2249					2248-5A	2249-5A	

Important:
Upon request it is possible to manufacture current transformers types that differ from those in the table.

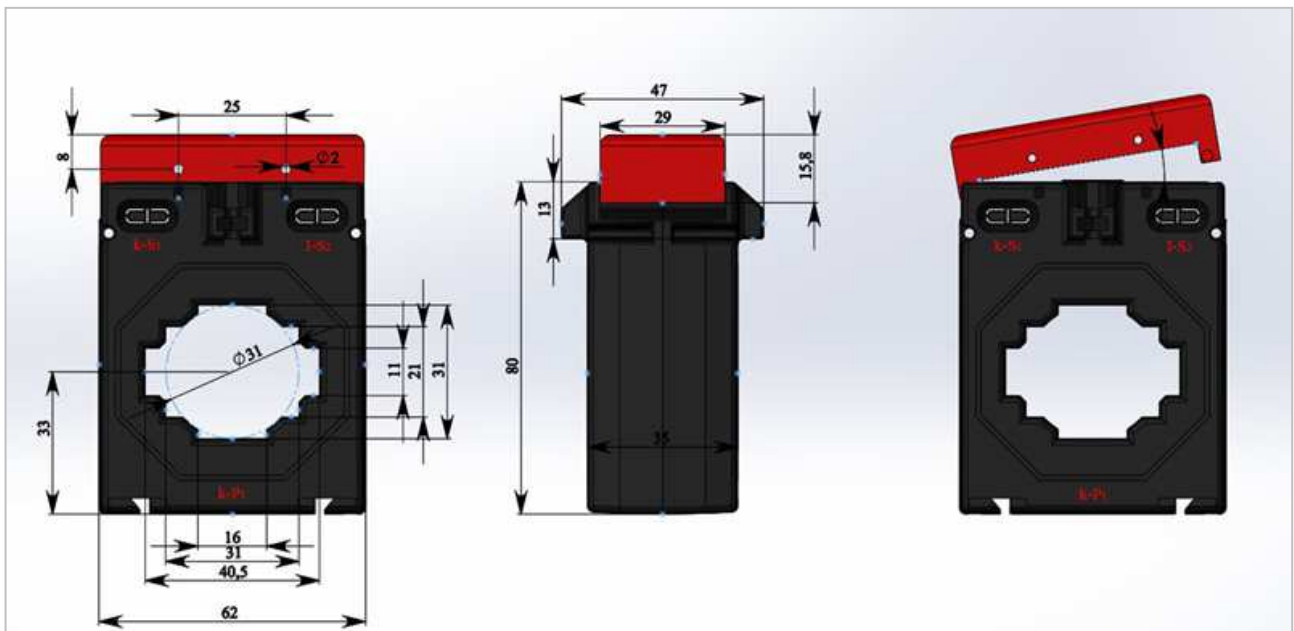
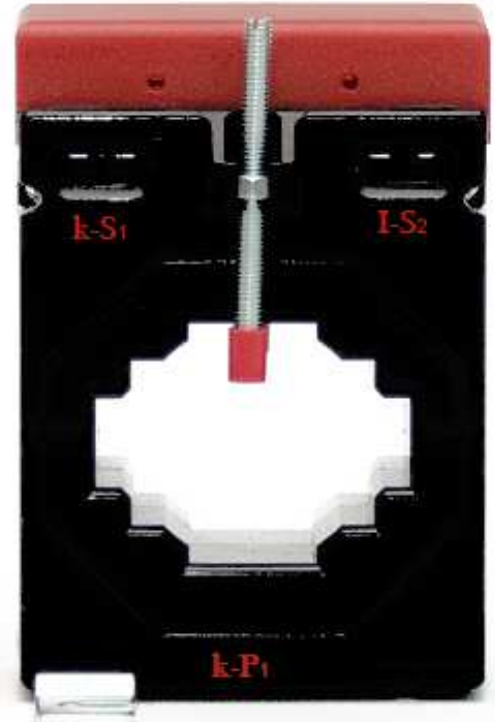
Order specification:
 Transformer name + Primary current + Secondary current + Accuracy class + Output + Code

CURRENT TRANSFORMER

SVT-80/D

Technical parameters:

Primary current: 100A-750A
 Secondary current: 5A or 1A
 Accuracy classes: 0,2s...3
 Output: max 10VA
 Hole size: hole 40x10mm
 Rated current: 720V
 Nominal frequency: 50-60Hz
 Operating temperature: -20°C + 45°C
 Insulation class: E (120°C max)
 Tested under voltage: 3 kV/1 min/50Hz
 Instrument security factor (FS): 5; 10
 Weight: 185 - 255 g.





CURRENT TRANSFORMER

Transformers – series SVT-80/D

Primary current	Output	Secondary current 1A						Secondary current 5A						
		Accuracy class						Accuracy class						
		0,2s	0,2	0,5s	0,5	1	3	0,2s	0,2	0,5s	0,5	1	3	
A	VA	Code	Code	Code	Code	Code	Code	Code	Code	Code	Code	Code	Code	
100	1					2250							2250-5A	
	1,5						2251							2251-5A
125	1,5					2252	2253						2252-5A	2253-5A
	2,5						2254							2254-5A
150	1,5					2255							2255-5A	
	2,5					2256							2256-5A	
	3,75						2257							2257-5A
200	1	2258	2259						2258-5A	2259-5A				
	1,5			2260	2261						2260-5A	2261-5A		
	2,5					2262							2262-5A	
	3,75					2263							2263-5A	
	5						2264							2264-5A
250	1	2265	2266						2265-5A	2266-5A				
	1,5		2268	2267					2268-5A	2267-5A				
	2,5				2269							2269-5A		
	5					2270							2270-5A	
300	1,5	2271	2273	2272					2271-5A	2273-5A	2272-5A			
	2,5			2274							2274-5A			
	5				2275	2276						2275-5A	2276-5A	
400	1,5	2277							2277-5A					
	2,5	2278	2280	2279					2278-5A	2280-5A	2279-5A			
	5				2281	2282						2281-5A	2282-5A	
	7,5						2283							2283-5A
500	2,5	2284		2285					2284-5A		2285-5A			
	3,75				2286							2286-5A		
	5		2287		2288	2289				2287-5A		2288-5A	2289-5A	
	7,5					2290							2290-5A	
600	2,5	2291		2292					2291-5A		2292-5A			
	3,75	2293							2293-5A					
	5		2295	2294	2296	2297				2295-5A	2294-5A	2296-5A	2297-5A	
	7,5		2298		2299					2298-5A		2299-5A		
	10					2300								2300-5A
750	2,5	2301		2302					2301-5A		2302-5A			
	5	2303	2305	2304	2306	2307			2303-5A	2305-5A	2304-5A	2306-5A	2307-5A	
			2308		2309	2310				2308-5A		2309-5A	2310-5A	
	10													

Important:

Upon request it is possible to manufacture current transformers types that differ from those in the table.

Order specification:

Transformer name + Primary current + Secondary current + Accuracy class + Output + Code

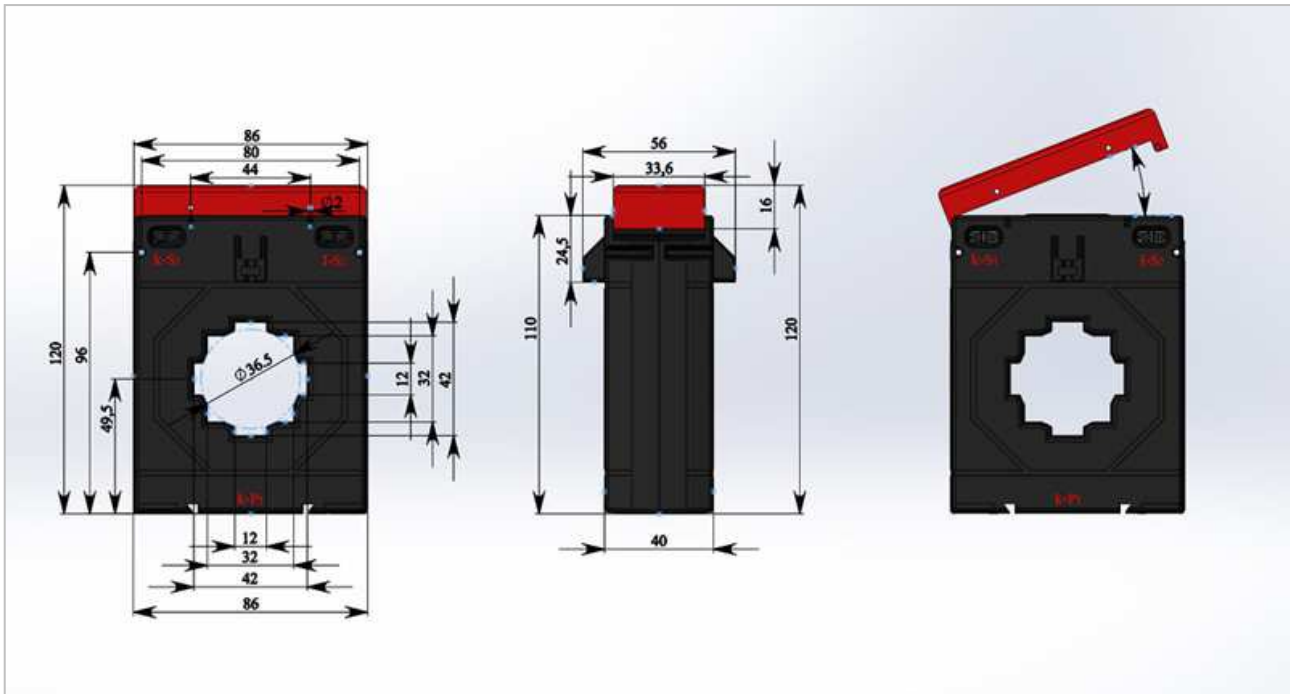
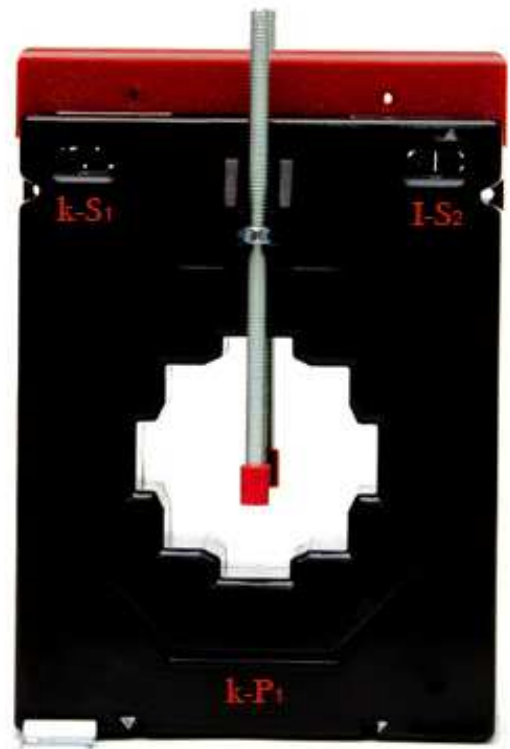


CURRENT TRANSFORMER

SVT-110/A

Technical parameters:

- Primary current: 60A-1000A
- Secondary current: 5A or 1A
- Accuracy classes: 0,2s....3
- Output: max 30VA
- Hole size: hole 40x10mm
- Rated current: 720V
- Nominal frequency: 50-60Hz
- Operating temperature: -20°C + 45°C
- Insulation class: E (120°C max)
- Tested under voltage: 3 kV/1 min/50Hz
- Instrument security factor (FS): 5; 10
- Weight: 470 - 565 g.





CURRENT TRANSFORMER

Transformers – series SVT-110/A

Primary current	Output	Secondary current 1A						Secondary current 5A						
		Accuracy class						Accuracy class						
		0,2s	0,2	0,5s	0,5	1	3	0,2s	0,2	0,5s	0,5	1	3	
A	VA	Code	Code	Code	Code	Code	Code	Code	Code	Code	Code	Code	Code	
60	1,5					5001							5001-5A	
	2,5						5002							5002-5A
75	2,5					5003							5003-5A	
	3,75						5004							5004-5A
80	2,5					5005							5005-5A	
	3,75						5006							5006-5A
100	1,5	5007	5009	5008	5010			5007-5A	5009-5A	5008-5A	5010-5A			
	3,75					5011							5011-5A	
	5						5012							5012-5A
125	1,5	5013	5015	5014				5013-5A	5015-5A	5014-5A				
	2,5				5016						5016-5A			
	5					5017						5017-5A		
150	7,5						5018							5018-5A
	1,5	5019	5020					5019-5A	5020-5A					
	2,5	5021	5023	5022				5021-5A	5023-5A	5022-5A				
200	3,75				5024						5024-5A			
	5					5015						5015-5A		
	10						5026							5026-5A
250	1,5	5027		5028				5027-5A		5028-5A				
	2,5	5029	5031	5030				5029-5A	5031-5A	5030-5A				
	5				5032	5033					5032-5A	5033-5A		
300	7,5					5034						5034-5A		
	12,5						5035							5035-5A
	15													
250	1,5	5036						5036-5A						
	2,5			5037						5037-5A				
	3,75		5038						5038-5A					
300	5				5039	5040					5039-5A	5040-5A		
	7,5				5041						5041-5A			
	10					5042						5042-5A		
300	12,5					5043						5043-5A		
	15						5044							5044-5A
	2,5	5045		5046				5045-5A		5046-5A				
300	3,75	5047		5048				5047-5A		5048-5A				
	5		5049		5050	5051			5049-5A		5050-5A	5051-5A		
	10				5052	5053					5052-5A	5053-5A		
300	15					5054						5054-5A		

Please see more options of current transformers at the next page



CURRENT TRANSFORMER

Transformers – series SVT-110/A

Primary current	Output	Secondary current 1A						Secondary current 5A					
		Accuracy class						Accuracy class					
		0,2s	0,2	0,5s	0,5	1	3	0,2s	0,2	0,5s	0,5	1	3
A	VA	Code	Code	Code	Code	Code	Code	Code	Code	Code	Code	Code	Code
400	2,5	5055		5056				5055-5A		5056-5A			
	3,75	5057		5058				5057-5A		5058-5A			
	5		5059		5060	5061			5059-5A		5060-5A	5061-5A	
	7,5		5062						5062-5A				
	10				5063	5064					5063-5A	5064-5A	
	15				5065	5066					5065-5A	5066-5A	
	20					5067						5067-5A	
500	3,75	5068						5068-5A					
	5		5070	5069	5071	5072			5070-5A	5069-5A	5071-5A	5072-5A	
	10		5073		5074	5075			5073-5A		5074-5A	5075-5A	
	15				5076	5077					5076-5A	5077-5A	
	20				5078						5078-5A		
	30					5079						5079-5A	
600	2,5	5080						5080-5A					
	5	5081	5083	5082	5084	5085		5081-5A	5083-5A	5082-5A	5084-5A	5085-5A	
	7,5			5086						5086-5A			
	10		5087		5088	5089			5087-5A		5088-5A	5089-5A	
	15		5090		5091	5092			5090-5A		5091-5A	5092-5A	
	30				5093	5094					5093-5A	5094-5A	
750	5	5095	5097	5096	5098	5099		5095-5A	5097-5A	5096-5A	5098-5A	5099-5A	
	7,5			5100						5100-5A			
	10		5101		5102	5103			5101-5A		5102-5A	5103-5A	
	15		5104		5105	5106			5104-5A		5105-5A	5106-5A	
	30				5107	5108					5107-5A	5108-5A	
800	5	5109	5111	5110	5112	5113		5109-5A	5111-5A	5110-5A	5112-5A	5113-5A	
	7,5	5114						5114-5A					
	10		5116	5115	5117	5118			5116-5A	5115-5A	5117-5A	5118-5A	
	15		5120	5119	5121	5122			5120-5A	5119-5A	5121-5A	5122-5A	
	30				5123	5124					5123-5A	5124-5A	
1000	5	5125	5127	5126	5128	5129		5125-5A	5127-5A	5126-5A	5128-5A	5129-5A	
	10	5130	5132	5131	5133	5134		5130-5A	5132-5A	5131-5A	5133-5A	5134-5A	
	15		5136	5135	5137	5138			5136-5A	5135-5A	5137-5A	5138-5A	
	30				5139	5140					5139-5A	5140-5A	

Important:
Upon request it is possible to manufacture current transformers types that differ from those in the table.

Order specification:
 Transformer name + Primary current + Secondary current + Accuracy class + Output + Code

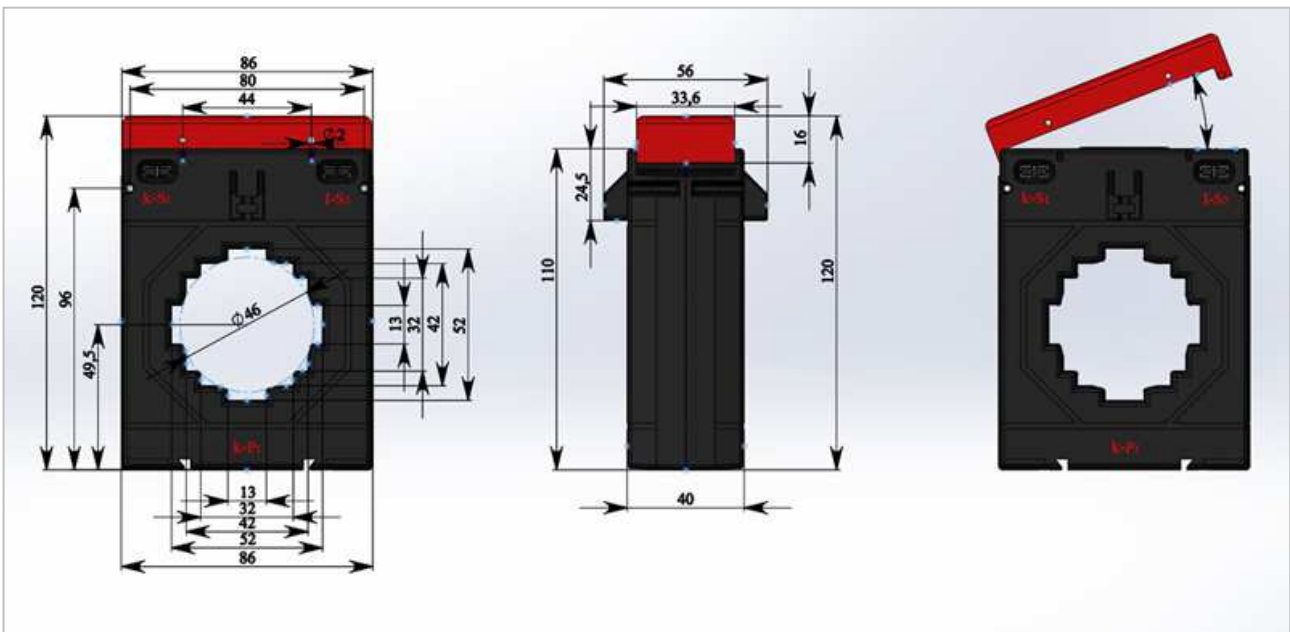
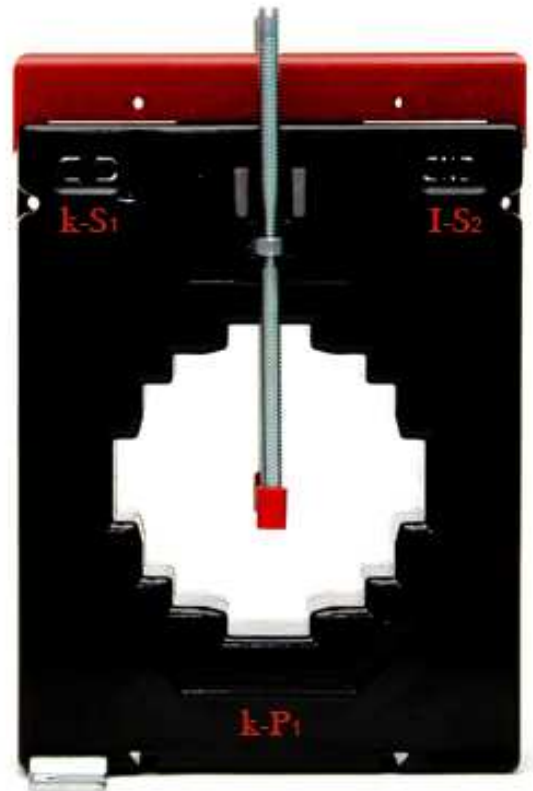


CURRENT TRANSFORMER

SVT-110/B

Technical parameters:

- Primary current: 100A-1250A
- Secondary current: 5A or 1A
- Accuracy classes: 0,2s...3
- Output: max 30VA
- Hole size: hole 50x12,5mm
- Rated current: 720V
- Nominal frequency: 50-60Hz
- Operating temperature: -20°C + 45°C
- Insulation class: E (120°C max)
- Tested under voltage: 3 kV/1 min/50Hz
- Instrument security factor (FS): 5; 10
- Weight: 470 - 565 g.





CURRENT TRANSFORMER

Transformers – series SVT-110/B

Primary current A	Output VA	Secondary current 1A						Secondary current 5A					
		Accuracy class						Accuracy class					
		0,2s	0,2	0,5s	0,5	1	3	0,2s	0,2	0,5s	0,5	1	3
		Code	Code	Code	Code	Code	Code	Code	Code	Code	Code	Code	Code
100	1,5 2,5					5141 5142						5141-5A 5142-5A	
125	1,5 2,5 3,75				5142	5144 5145						5142-5A 5144-5A 5145-5A	
150	2,5 5 7,5				5146	5147 5148 5149						5146-5A 5147-5A 5148-5A 5149-5A	
200	5 7,5 10				5150	5151 5152 5153						5150-5A 5151-5A 5152-5A 5153-5A	
250	5 7,5 10 12,5				5154 5156	5155 5157 5158						5154-5A 5155-5A 5156-5A 5157-5A 5158-5A	
300	1,5 2,5 3,75 5 7,5 10 12,5	5159 5162	5161	5160 5163		5164 5165 5166 5167			5159-5A 5162-5A	5161-5A	5160-5A 5163-5A	5164-5A 5165-5A 5166-5A 5167-5A	5165-5A 5166-5A 5167-5A 5168-5A
400	2,5 3,75 5 10 12,5 15	5169 5172	5171	5170 5173		5174 5175 5176 5177 5178			5169-5A 5172-5A	5171-5A	5170-5A 5173-5A	5174-5A 5175-5A 5176-5A 5177-5A 5178-5A	5175-5A 5176-5A 5177-5A 5178-5A 5179-5A
500	2,5 3,75 5 10 12,5 15 20	5180		5181 5182		5184 5185 5186 5187 5188 5189			5180-5A		5181-5A 5182-5A	5183-5A 5184-5A 5185-5A 5186-5A 5187-5A 5188-5A 5189-5A	5185-5A 5186-5A 5187-5A 5188-5A 5189-5A 5190-5A
600	2,5 3,75 5 7,5 10 15 20	5191 5192		5193 5197		5195 5196 5199 5200 5201 5202 5203			5191-5A 5192-5A	5194-5A 5198-5A	5193-5A 5197-5A	5195-5A 5196-5A 5199-5A 5200-5A 5201-5A 5202-5A 5203-5A	5196-5A 5197-5A 5198-5A 5199-5A 5200-5A 5201-5A 5202-5A 5203-5A

Please see more options of current transformers at the next page



CURRENT TRANSFORMER

Transformers – series SVT-110/B

Primary current	Output	Secondary current 1A						Secondary current 5A					
		Accuracy class						Accuracy class					
		0,2s	0,2	0,5s	0,5	1	3	0,2s	0,2	0,5s	0,5	1	3
A	VA	Code	Code	Code	Code	Code	Code	Code	Code	Code	Code	Code	Code
750	5	5204	5206	5205	5207	5208		5204-5A	5206-5A	5205-5A	5207-5A	5208-5A	
	7,5	5209						5209-5A					
	10		5211	5210	5212	5213			5211-5A	5210-5A	5212-5A	5213-5A	
	15				5214	5215					5214-5A	5215-5A	
	20					5216						5216-5A	
800	5	5217	5219	5218	5220	5221		5217-5A	5219-5A	5218-5A	5220-5A	5221-5A	
	7,5	5222		5223				5222-5A		5223-5A			
	10		5224		5225	5226			5224-5A		5225-5A	5226-5A	
	12,5		5227						5227-5A				
	15				5228	5229					5228-5A	5229-5A	
	20				5230						5230-5A		
1000	5	5232	5234	5232	5235	5236		5232-5A	5234-5A	5232-5A	5235-5A	5236-5A	
	10	5237	5239	5238	5240	5241		5237-5A	5239-5A	5238-5A	5240-5A	5241-5A	
	15		5242	5241	5244	5245			5242-5A	5241-5A	5244-5A	5245-5A	
	20		5245						5245-5A				
	30				5247	5248					5247-5A	5248-5A	
1200	5	5249	5251	5250	5252	5253		5249-5A	5251-5A	5250-5A	5252-5A	5253-5A	
	10	5454	5256	5255	5257	5258		5454-5A	5256-5A	5255-5A	5257-5A	5258-5A	
	15		5260	5259	5261	5262			5260-5A	5259-5A	5261-5A	5262-5A	
	20		5263						5263-5A				
	30				5264	5265					5264-5A	5265-5A	
1250	5	5266	5268	5267	5269	5270		5266-5A	5268-5A	5267-5A	5269-5A	5270-5A	
	10	5271	5273	5272	5274	5275		5271-5A	5273-5A	5272-5A	5274-5A	5275-5A	
	15		5277	5276	5278	5279			5277-5A	5276-5A	5278-5A	5279-5A	
	20		5280						5280-5A				
	30				5281	5282					5281-5A	5282-5A	

Important:
 Upon request it is possible to manufacture current transformers types that differ from those in the table.

Order specification:
 Transformer name + Primary current + Secondary current + Accuracy class + Output + Code

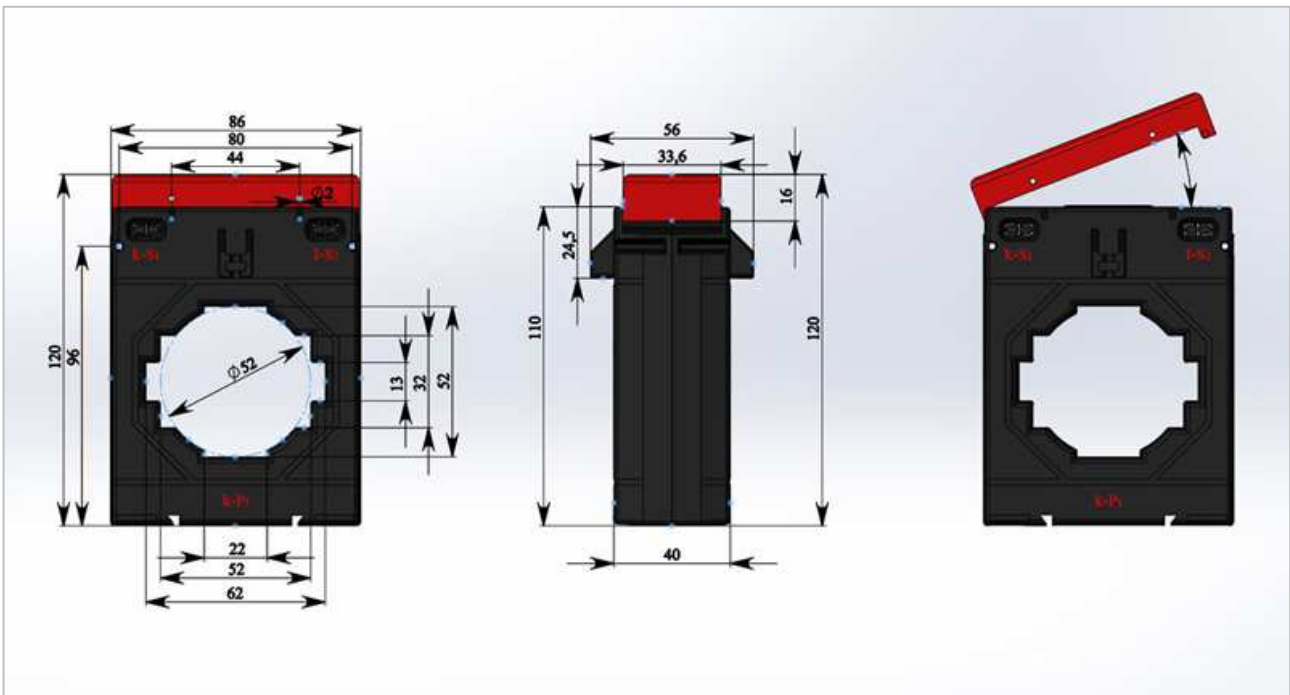
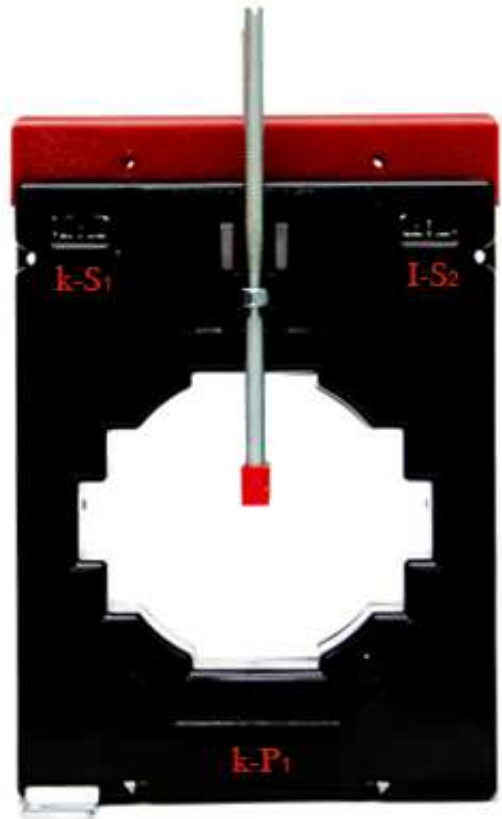


CURRENT TRANSFORMER

SVT-110/C

Technical parameters:

- Primary current: 100A-1600A
- Secondary current: 5A or 1A
- Accuracy classes: 0,2s....3
- Output: max 20VA
- Hole size: hole 60x12,5mm
- Rated current: 720V
- Nominal frequency: 50-60Hz
- Operating temperature: -20°C + 45°C
- Insulation class: E (120°C max)
- Tested under voltage: 3 kV/1 min/50Hz
- Instrument security factor (FS): 5; 10
- Weight: 470 - 565 g.





CURRENT TRANSFORMER

Transformers – series SVT-110/C

Primary current	Output	Secondary current 1A						Secondary current 5A							
		Accuracy class						Accuracy class							
		0,2s	0,2	0,5s	0,5	1	3	0,2s	0,2	0,5s	0,5	1	3		
A	VA	Code	Code	Code	Code	Code	Code	Code	Code	Code	Code	Code	Code		
100	1,5						5283						5283-5A		
125	2,5 3,75					5284	5285					5284-5A	5285-5A		
150	2,75 3,75					5286	5287					5286-5A	5287-5A		
200	1,5 3,75 5				5288	5289	5290				5288-5A	5289-5A	5290-5A		
250	2,5 5 7,5				5291	5292	5293				5291-5A	5292-5A	5293-5A		
300	1,5 2,5 5 7,5 10	5294 5297	5296	5295 5298		5299	5300 5301	5302	5294-5A 5297-5A	5296-5A	5295-5A 5298-5A	5299-5A	5300-5A 5301-5A	5302-5A	
400	1,5 2,5 3,75 5 10 12,5 15	5303 5306	5305	5304 5307		5308 5310	5309 5311 5312	5313	5303-5A 5306-5A	5305-5A	5304-5A 5307-5A	5308-5A 5310-5A	5309-5A 5311-5A 5312-5A	5313-5A	
500	2,5 3,75 5 10 12,5 15	5314	5316	5315 5317	5318	5319 5320	5321 5322	5323	5314-5A	5316-5A	5315-5A 5317-5A	5318-5A 5320-5A	5319-5A 5321-5A 5322-5A	5323-5A	
600	2,5 3,75 5 7,5 10 15 20	5324 5325	5327	5326 5330	5328	5329	5331 5332 5333 5334	5335 5336	5324-5A 5325-5A	5327-5A	5326-5A 5330-5A	5328-5A	5329-5A	5331-5A 5332-5A 5333-5A 5334-5A	5335-5A 5336-5A
750	5 7,5 10 15 20	5337	5339 5343	5338 5342	5340	5341	5344 5345 5346 5347 5348		5337-5A	5339-5A 5343-5A	5338-5A 5342-5A	5340-5A	5341-5A	5344-5A 5345-5A 5346-5A 5347-5A 5348-5A	

Please see more options of current transformers at the next page



CURRENT TRANSFORMER

Transformers – series SVT-110/C

Primary current	Output	Secondary current 1A						Secondary current 5A					
		Accuracy class						Accuracy class					
		0,2s	0,2	0,5s	0,5	1	3	0,2s	0,2	0,5s	0,5	1	3
A	VA	Code	Code	Code	Code	Code	Code	Code	Code	Code	Code	Code	Code
800	5	5349	5351	5350	5352	5353		5349-5A	5351-5A	5350-5A	5352-5A	5353-5A	
	7,5	5354						5354-5A					
	10		5356	5355	5357	5358			5356-5A	5355-5A	5357-5A	5358-5A	
	12,5		5359						5359-5A				
	15			5360	5361	5362				5360-5A	5361-5A	5362-5A	
20				5363	5364					5363-5A	5364-5A		
1000	5	5365	5367	5366	5368	5369		5365-5A	5367-5A	5366-5A	5368-5A	5369-5A	
	10	5370	5372	5371	5373	5374		5370-5A	5372-5A	5371-5A	5373-5A	5374-5A	
	15		5375		5376	5377			5375-5A		5376-5A	5377-5A	
	20				5378	5379					5378-5A	5379-5A	
1200	5	5380	5382	5381	5383	5384		5380-5A	5382-5A	5381-5A	5383-5A	5384-5A	
	10	5385	5387	5386	5388	5389		5385-5A	5387-5A	5386-5A	5388-5A	5389-5A	
	15		5391	5390	5392	5393			5391-5A	5390-5A	5392-5A	5393-5A	
	20				5394	5395					5394-5A	5395-5A	
1250	5	5396	5398	5397	5399	5400		5396-5A	5398-5A	5397-5A	5399-5A	5400-5A	
	10	5401	5403	5402	5404	5405		5401-5A	5403-5A	5402-5A	5404-5A	5405-5A	
	15		5407	5406	5408	5409			5407-5A	5406-5A	5408-5A	5409-5A	
	20				5410	5411					5410-5A	5411-5A	
1500	5	5412	5414	5413	5415	5416		5412-5A	5414-5A	5413-5A	5415-5A	5416-5A	
	10	5417	5419	5418	5420	5421		5417-5A	5419-5A	5418-5A	5420-5A	5421-5A	
	15		5423	5422	5424	5425			5423-5A	5422-5A	5424-5A	5425-5A	
	20				5426	5427					5426-5A	5427-5A	
1600	5	5428	5430	5429	5431	5432		5428-5A	5430-5A	5429-5A	5431-5A	5432-5A	
	10	5433	5435	5434	5436	5437		5433-5A	5435-5A	5434-5A	5436-5A	5437-5A	
	15		5439	5438	5440	5441			5439-5A	5438-5A	5440-5A	5441-5A	
	20				5442	5443					5442-5A	5443-5A	

Important:
Upon request it is possible to manufacture current transformers types that differ from those in the table.

Order specification:
 Transformer name + Primary current + Secondary current + Accuracy class + Output + Code

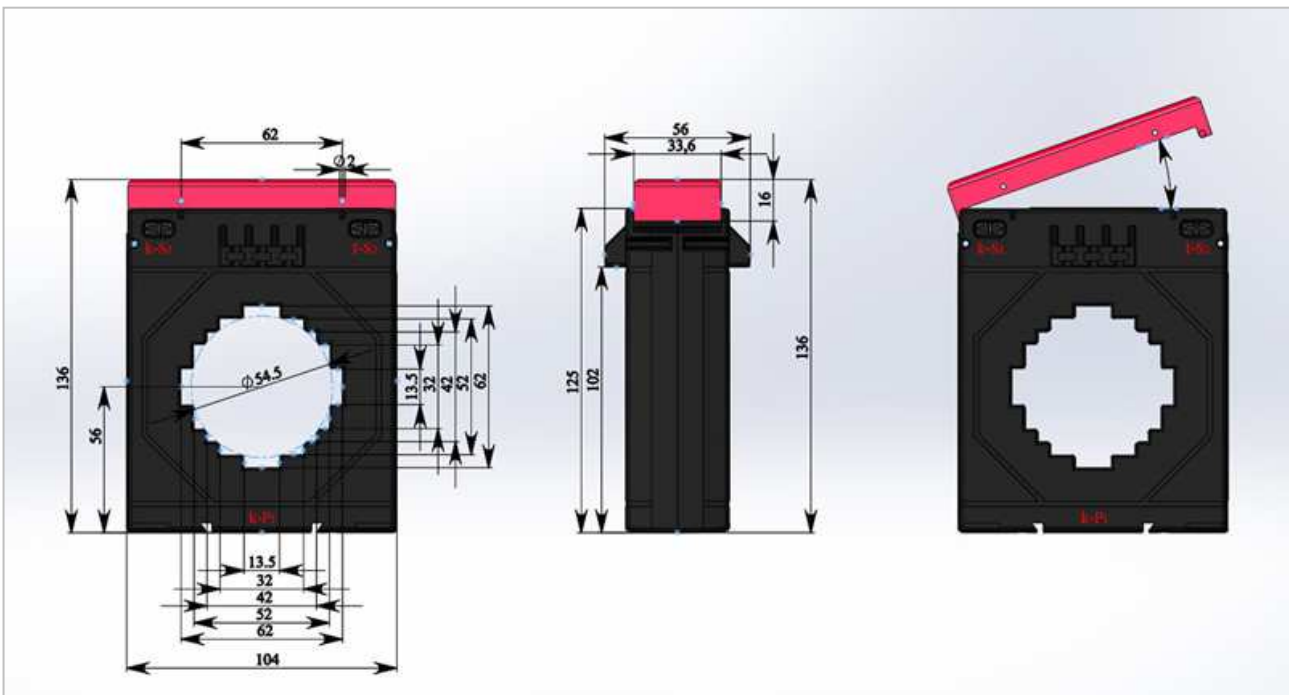


CURRENT TRANSFORMER

SVT-125/A

Technical parameters:

- Primary current: 100A-1600A
- Secondary current: 5A or 1A
- Accuracy classes: 0,2s....3
- Output: max 30VA
- Hole size: hole 60x12,5mm
- Rated current: 720V
- Nominal frequency: 50-60Hz
- Operating temperature: -20°C + 45°C
- Insulation class: E (120°C max)
- Tested under voltage: 3 kV/1 min/50Hz
- Instrument security factor (FS): 5; 10
- Weight: 555 - 655 g.





CURRENT TRANSFORMER

Transformers – series SVT-125/A

Primary current	Output	Secondary current 1A						Secondary current 5A						
		Accuracy class						Accuracy class						
		0,2s	0,2	0,5s	0,5	1	3	0,2s	0,2	0,5s	0,5	1	3	
A	VA	Code	Code	Code	Code	Code	Code	Code	Code	Code	Code	Code	Code	
100	1,5					3001							3001-5A	
	3,75						3002							3002-5A
125	2,5					3003							3003-5A	
	5						3004							3004-5A
150	2,5				3005								3005-5A	
	5					3006							3006-5A	
	10						3007							3007-5A
200	3,75				3008								3008-5A	
	5					3009							3009-5A	
	10					3010							3010-5A	
	15						3011							3011-5A
250	1,5		3012							3012-5A				
	5				3013	3014						3013-5A	3014-5A	
	7,5				3015							3015-5A		
	10					3016							3016-5A	
	12,5					3017							3017-5A	
15						3018							3018-5A	
300	1,5			3019							3019-5A			
	2,5		3020							3020-5A				
	5				3021	3022						3021-5A	3022-5A	
	10				3023	3024						3023-5A	3024-5A	
	15					3025							3025-5A	
20						3026							3026-5A	
400	1,5	3027							3027-5A					
	2,5		3029	3028						3029-5A	3028-5A			
	3,75		3030							3030-5A				
	5				3031	3032						3031-5A	3032-5A	
	10				3033	3034						3033-5A	3034-5A	
	15					3035							3035-5A	
20						3036							3036-5A	
500	2,5	3037							3037-5A					
	3,75			3038							3038-5A			
	5		3039		3040	3041				3039-5A		3040-5A	3041-5A	
	7,5		3042							3042-5A				
	10				3043	3044						3043-5A	3044-5A	
	15				3045	3046						3045-5A	3046-5A	
20					3047							3047-5A		
30						3048							3048-5A	
600	3,75	3049		3050					3049-5A		3050-5A			
	5		3052	3051	3053	3054				3052-5A	3051-5A	3053-5A	3054-5A	
	10		3055		3056	3057				3055-5A		3056-5A	3057-5A	
	15				3058	3059						3058-5A	3059-5A	
	30					3060							3060-5A	

Please see more options of current transformers at the next page



CURRENT TRANSFORMER

Transformers – series SVT-125/A

Primary current	Output	Secondary current 1A						Secondary current 5A					
		Accuracy class						Accuracy class					
		0,2s	0,2	0,5s	0,5	1	3	0,2s	0,2	0,5s	0,5	1	3
A	VA	Code	Code	Code	Code	Code	Code	Code	Code	Code	Code	Code	Code
750	5	3061	3063	3062	3064	3065		3061-5A	3063-5A	3062-5A	3064-5A	3065-5A	
	10		3066		3067	3068			3066-5A		3067-5A	3068-5A	
	15		3069		3070	3071			3069-5A		3070-5A	3071-5A	
	20				3072						3072-5A		
	30					3073						3073-5A	
800	5	3074	3076	3075	3077	3078		3074-5A	3076-5A	3075-5A	3077-5A	3078-5A	
	10		3079		3080	3081			3079-5A		3080-5A	3081-5A	
	15		3082		3083	3084			3082-5A		3083-5A	3084-5A	
	30				3085	3086					3085-5A	3086-5A	
	45												
1000	5	3087	3089	3088	3090	3091		3087-5A	3089-5A	3088-5A	3090-5A	3091-5A	
	10	3092	3094	3093	3095	3096		3092-5A	3094-5A	3093-5A	3095-5A	3096-5A	
	15		3097		3098	3099			3097-5A		3098-5A	3099-5A	
	20		3100						3100-5A				
	30				3101	3102					3101-5A	3102-5A	
45					3103						3103-5A		
1200	5	3104	3106	3105	3107	3108		3104-5A	3106-5A	3105-5A	3107-5A	3108-5A	
	10	3109	3111	3110	3112	3113		3109-5A	3111-5A	3110-5A	3112-5A	3113-5A	
	15		3115	3114	3116	3117			3115-5A	3114-5A	3116-5A	3117-5A	
	30		3118		3119	3120			3118-5A		3119-5A	3120-5A	
	45					3121						3121-5A	
1250	5	3122	3124	3123	3125	3126		3122-5A	3124-5A	3123-5A	3125-5A	3126-5A	
	10	3127	3129	3128	3130	3131		3127-5A	3129-5A	3128-5A	3130-5A	3131-5A	
	15		3133	3132	3134	3135			3133-5A	3132-5A	3134-5A	3135-5A	
	30		3136		3137	3138			3136-5A		3137-5A	3138-5A	
	45					3139					3139-5A		
1500	5	3140	3142	3141	3143	3144		3140-5A	3142-5A	3141-5A	3143-5A	3144-5A	
	10	3145	3147	3146	3148	3149		3145-5A	3147-5A	3146-5A	3148-5A	3149-5A	
	15		3151	3150	3152	3150			3151-5A	3150-5A	3152-5A	3150-5A	
	30		3154		3155	3156			3154-5A		3155-5A	3156-5A	
	45					3157						3157-5A	
1600	5	3158	3160	3159	3161	3162		3158-5A	3160-5A	3159-5A	3161-5A	3162-5A	
	10	3163	3165	3164	3166	3167		3163-5A	3165-5A	3164-5A	3166-5A	3167-5A	
	15		3169	3168	3170	3171			3169-5A	3168-5A	3170-5A	3171-5A	
	30		3172		3173	3174			3172-5A		3173-5A	3174-5A	
	45					3175						3175-5A	

Important:

Upon request it is possible to manufacture current transformers types that differ from those in the table.

Order specification:

Transformer name + Primary current + Secondary current + Accuracy class + Output + Code

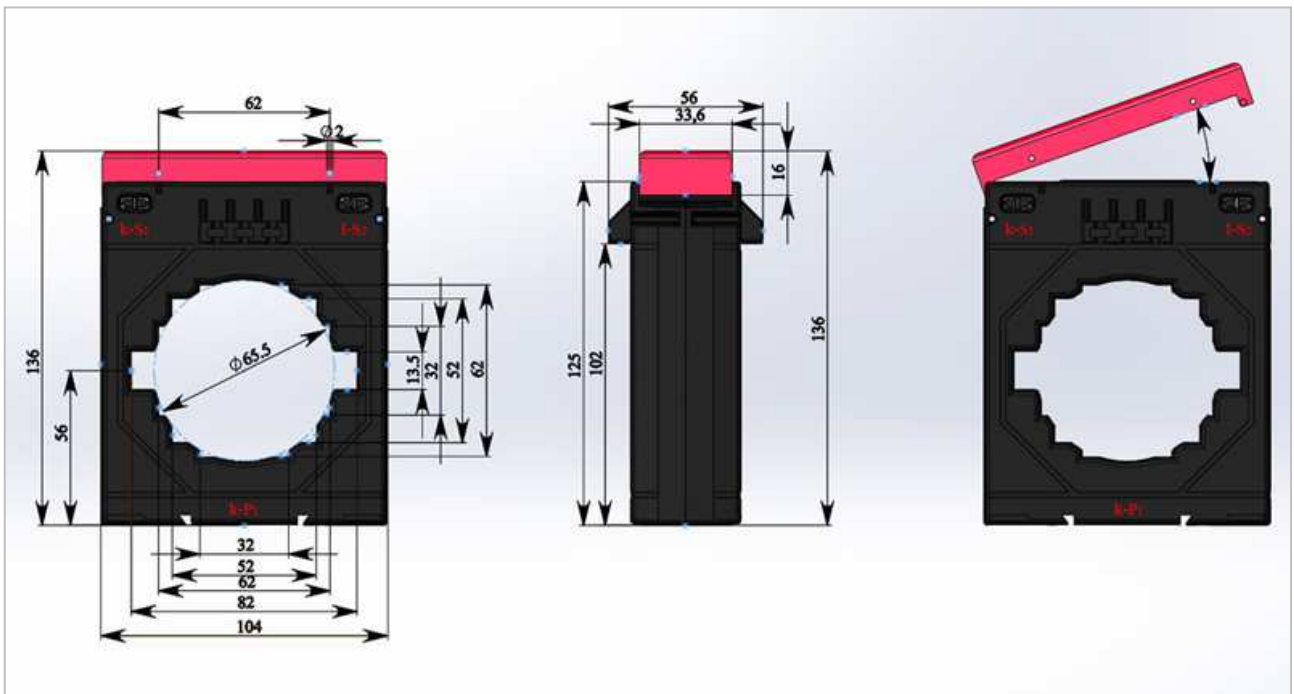
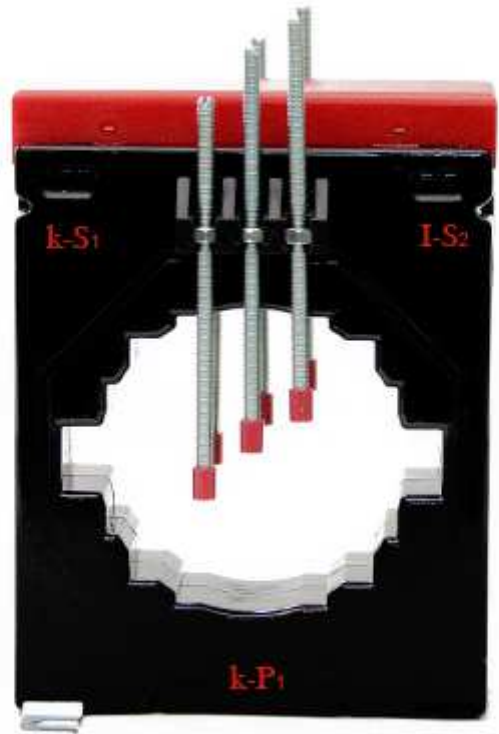


CURRENT TRANSFORMER

SVT-125/B

Technical parameters:

- Primary current: 200A-2000A
- Secondary current: 5A or 1A
- Accuracy classes: 0,2s....3
- Output: max 45VA
- Hole size: hole 80x12,5mm
- Rated current: 720V
- Nominal frequency: 50-60Hz
- Operating temperature: -20°C + 45°C
- Insulation class: E (120°C max)
- Tested under voltage: 3 kV/1 min/50Hz
- Instrument security factor (FS): 5; 10
- Weight: 585 - 655 g.





CURRENT TRANSFORMER

Transformers – series SVT-125/B

		Secondary current 1A						Secondary current 5A						
Primary current	Output	Accuracy class						Accuracy class						
		0,2s	0,2	0,5s	0,5	1	3	0,2s	0,2	0,5s	0,5	1	3	
A	VA	Code	Code	Code	Code	Code	Code	Code	Code	Code	Code	Code	Code	
200	1,5					3176							3176-5A	
250	1,5 2,5 7,5				3177	3178	3179				3177-5A	3178-5A	3179-5A	
300	2,5 5 7,5				3180	3181 3182					3180-5A	3181-5A 3182-5A		
400	1,5 5 10 12,5		3183		3184	3185 3186	3187		3183-5A		3184-5A	3185-5A 3186-5A	3187-5A	
500	1,5 5 10 15		3188		3189	3190 3191	3192		3188-5A		3189-5A	3190-5A 3191-5A	3192-5A	
600	1,5 2,5 5 7,5 12,5 15	3193	3194		3195 3198	3196 3199	3200		3193-5A	3194-5A		3195-5A 3198-5A	3196-5A 3199-5A	3200-5A
750	2,5 5 7,5 10 15	3201 3203	3202 3205	3204 3208	3206	3207 3209 3210 3211			3201-5A 3203-5A	3202-5A 3205-5A	3204-5A 3208-5A	3206-5A 3209-5A	3207-5A 3210-5A 3211-5A	
800	3,75 5 7,5 10 15	3212 3214	3213 3216 3219	3215	3217	3218 3221 3222 3223			3212-5A 3214-5A	3213-5A 3216-5A 3219-5A	3215-5A 3220-5A	3217-5A 3221-5A	3218-5A 3222-5A 3223-5A	
1000	5 7,5 10 12,5 15 20	3224 3229	3226 3230 3232 3235	3225	3227	3228 3233 3234 3236 3237 3238 3239			3224-5A 3229-5A	3226-5A 3230-5A 3232-5A 3235-5A	3225-5A 3231-5A	3227-5A 3233-5A	3228-5A 3234-5A 3236-5A 3237-5A 3238-5A 3239-5A	
1200	5 10 15 20 30	3240	3242 3246 3249	3241 3245	3243 3247	3244 3248 3250 3251 3252 3253			3240-5A	3242-5A 3246-5A 3249-5A	3241-5A 3245-5A	3243-5A 3247-5A 3250-5A 3252-5A	3244-5A 3248-5A 3251-5A 3253-5A	

Please see more options of current transformers at the next page



CURRENT TRANSFORMER

Transformers – series SVT-125/B

Primary current	Output	Secondary current 1A						Secondary current 5A					
		Accuracy class						Accuracy class					
		0,2s	0,2	0,5s	0,5	1	3	0,2s	0,2	0,5s	0,5	1	3
A	VA	Code	Code	Code	Code	Code	Code	Code	Code	Code	Code	Code	Code
1250	5	3254	3256	3255	3257	3258		3254-5A	3256-5A	3255-5A	3257-5A	3258-5A	
	10		3260	3259	3261	3262			3260-5A	3259-5A	3261-5A	3262-5A	
	15		3264	3263	3265	3266			3264-5A	3263-5A	3265-5A	3266-5A	
	20				3267						3267-5A		
	30					3269						3269-5A	
1500	5	3269	3271	3270	3272	3273		3269-5A	3271-5A	3270-5A	3272-5A	3273-5A	
	10		3275	3274	3276	3277			3275-5A	3274-5A	3276-5A	3277-5A	
	15		3279	3278	3280	3281			3279-5A	3278-5A	3280-5A	3281-5A	
	20				3282						3282-5A		
	30					3283						3283-5A	
1600	5	3284	3286	3285	3287	3288		3284-5A	3286-5A	3285-5A	3287-5A	3288-5A	
	10		3290	3289	3291	3292			3290-5A	3289-5A	3291-5A	3292-5A	
	15		3294	3293	3295	3296			3294-5A	3293-5A	3295-5A	3296-5A	
	20				3297						3297-5A		
	30					3298						3298-5A	
2000	5	3299	3301	3300	3302	3303		3299-5A	3301-5A	3300-5A	3302-5A	3303-5A	
	10		3305	3304	3306	3307			3305-5A	3304-5A	3306-5A	3307-5A	
	15		3309	3308	3310	3311			3309-5A	3308-5A	3310-5A	3311-5A	
	20			3312	3313					3312-5A	3313-5A		
	30					3314						3314-5A	

Important:
Upon request it is possible to manufacture current transformers types that differ from those in the table.

Order specification:
 Transformer name + Primary current + Secondary current + Accuracy class + Output + Code

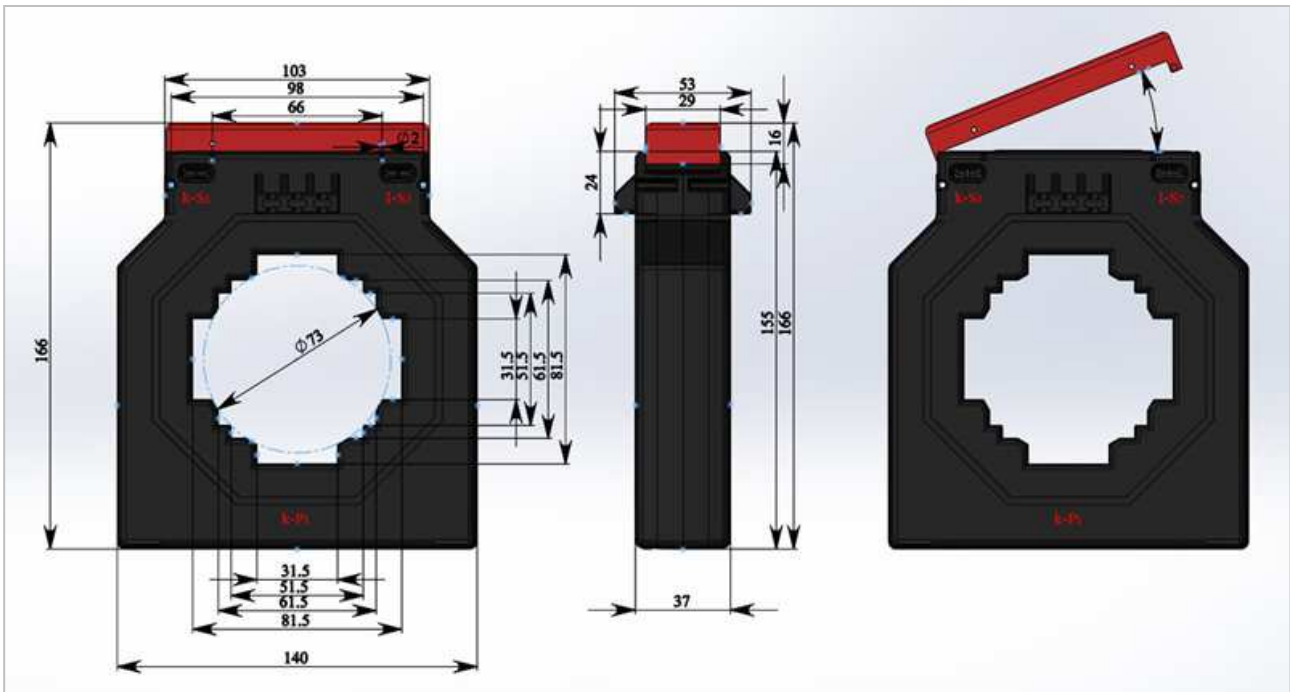
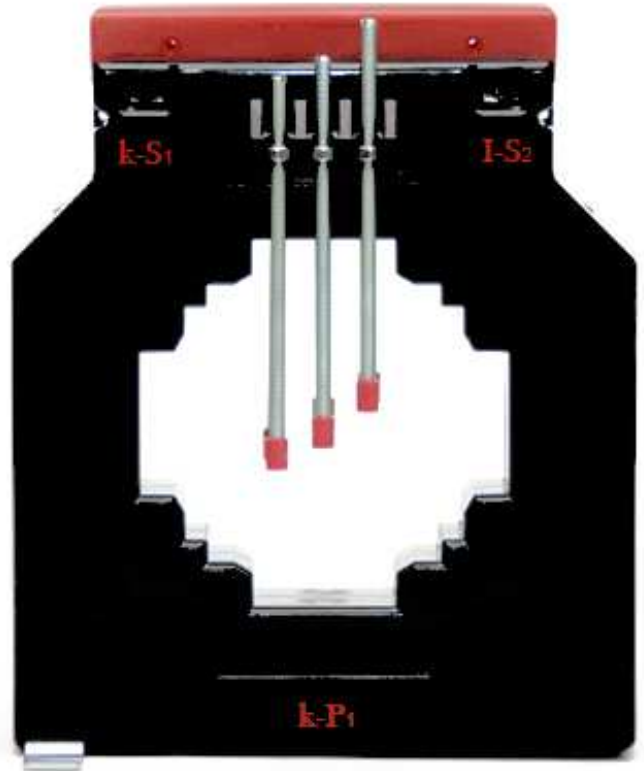


CURRENT TRANSFORMER

SVT-155/A

Technical parameters:

- Primary current: 200A-2000A
- Secondary current: 5A or 1A
- Accuracy classes: 0,2s....3
- Output: max 60VA
- Hole size: hole 2x80x10mm Ø 73mm
- Rated current: 720V
- Nominal frequency: 50-60Hz
- Operating temperature: -20°C + 45°C
- Insulation class: E (120°C max)
- Tested under voltage: 3 kV/1 min/50Hz
- Instrument security factor (FS): 5; 10
- Weight: 1010 - 1205 g.





CURRENT TRANSFORMER

Transformers – series SVT-155/A

		Secondary current 1A						Secondary current 5A					
Primary current	Output	Accuracy class						Accuracy class					
		0,2s	0,2	0,5s	0,5	1	3	0,2s	0,2	0,5s	0,5	1	3
A	VA	Code	Code	Code	Code	Code	Code	Code	Code	Code	Code	Code	Code
200	2,5				4001							4001-5A	
	5					4002							4002-5A
	7,5						4003						4003-5A
250	5				4004	4005						4004-5A	4005-5A
	10					4006							4006-5A
	15						4007						4007-5A
300	1,5		4008						4008-5A				
	5				4009	4010					4009-5A	4010-5A	
	7,5				4011						4011-5A		
	10					4012						4012-5A	
400	15					4013						4013-5A	
	2,5		4015	4014					4015-5A	4014-5A			
	5				4016	4017					4016-5A	4017-5A	
	10				4018	4019					4018-5A	4019-5A	
	12,5						4020						4020-5A
500	15					4021							4021-5A
	20						4022						4022-5A
	2,5	4023						4023-5A					
	3,75			4024						4024-5A			
	5		4025		4026	4027			4025-5A		4026-5A	4027-5A	
	10				4028	4029					4028-5A	4029-5A	
600	15				4030	4031					4030-5A	4031-5A	
	30					4032						4032-5A	
	45						4033						4033-5A
	3,75	4034	4036	4035				4034-5A	4036-5A	4035-5A			
	5		4037		4038	4039			4037-5A		4038-5A	4039-5A	
750	7,5		4040						4040-5A				
	10				4041	4042					4041-5A	4042-5A	
	15				4043	4044					4043-5A	4044-5A	
	30					4045						4045-5A	
	45						4046						4046-5A
800	60												
	5	4047	4049	4048	4050	4051		4047-5A	4049-5A	4048-5A	4050-5A	4051-5A	
	10		4052		4053	4054			4052-5A		4053-5A	4054-5A	
	15				4055	4056					4055-5A	4056-5A	
	30					4057						4057-5A	
	45					4058						4058-5A	
800	60						4059						4059-5A
	5	4060	4062	4061	4063	4064		4060-5A	4062-5A	4061-5A	4063-5A	4064-5A	
	10		4065		4066	4067			4065-5A		4066-5A	4067-5A	
	12,5				4068						4068-5A		
	15				4069	4070					4069-5A	4070-5A	
	30					4071	4072					4071-5A	4072-5A
	45					4073						4073-5A	
60					4074	4075					4074-5A	4075-5A	

Please see more options of current transformers at the next page



CURRENT TRANSFORMER

Transformers – series SVT-155/A

Primary current		Secondary current 1A						Secondary current 5A							
		Output		Accuracy class						Accuracy class					
				0,2s	0,2	0,5s	0,5	1	3	0,2s	0,2	0,5s	0,5	1	3
A	VA	Code	Code	Code	Code	Code	Code	Code	Code	Code	Code	Code	Code	Code	
1000	5	4076	4078	4077	4079	4080		4076-5A	4078-5A	4077-5A	4079-5A	4080-5A			
	10	4081	4083	4082	4084	4085		4081-5A	4083-5A	4082-5A	4084-5A	4085-5A			
	15		4086		4087	4088			4086-5A		4087-5A	4088-5A			
	30				4089	4090					4089-5A	4090-5A			
	60					4091	4092					4091-5A	4092-5A		
1200	5	4093	4095	4094	4096	4097		4093-5A	4095-5A	4094-5A	4096-5A	4097-5A			
	10	4098	4100	4099	4101	4102		4098-5A	4100-5A	4099-5A	4101-5A	4102-5A			
	15		4104	4103	4105	4106			4104-5A	4103-5A	4105-5A	4106-5A			
	30				4107	4108					4107-5A	4108-5A			
	60					4109					4109-5A				
1250	5	4110	4112	4111	4113	4114		4110-5A	4112-5A	4111-5A	4113-5A	4114-5A			
	10	4115	4117	4116	4118	4119		4115-5A	4117-5A	4116-5A	4118-5A	4119-5A			
	15		4121	4120	4122	4123			4121-5A	4120-5A	4122-5A	4123-5A			
	30		4124		4125	4126			4124-5A		4125-5A	4126-5A			
	60				4127	4128					4127-5A	4128-5A			
1500	5	4129	4131	4130	4132	4133		4129-5A	4131-5A	4130-5A	4132-5A	4133-5A			
	10	4134	4136	4135	4137	4138		4134-5A	4136-5A	4135-5A	4137-5A	4138-5A			
	15		4140	4139	4141	4142			4140-5A	4139-5A	4141-5A	4142-5A			
	30		4143		4144	4145			4143-5A		4144-5A	4145-5A			
	60				4146	4147					4146-5A	4147-5A			
1600	5	4148	4150	4149	4151	4152		4148-5A	4150-5A	4149-5A	4151-5A	4152-5A			
	10	4153	4155	4154	4156	4157		4153-5A	4155-5A	4154-5A	4156-5A	4157-5A			
	15		4159	4158	4160	4161			4159-5A	4158-5A	4160-5A	4161-5A			
	30		4162		4163	4164			4162-5A		4163-5A	4164-5A			
	60				4165	4166					4165-5A	4166-5A			
2000	5	4167	4169	4168	4170	4171		4167-5A	4169-5A	4168-5A	4170-5A	4171-5A			
	10	4172	4174	4173	4175	4176		4172-5A	4174-5A	4173-5A	4175-5A	4176-5A			
	15		4178	4177	4179	4180			4178-5A	4177-5A	4179-5A	4180-5A			
	30		4181		4182	4183			4181-5A		4182-5A	4183-5A			
	60		4184		4185	4186			4184-5A		4185-5A	4186-5A			

Important:
Upon request it is possible to manufacture current transformers types that differ from those in the table.

Order specification:
 Transformer name + Primary current + Secondary current + Accuracy class + Output + Code

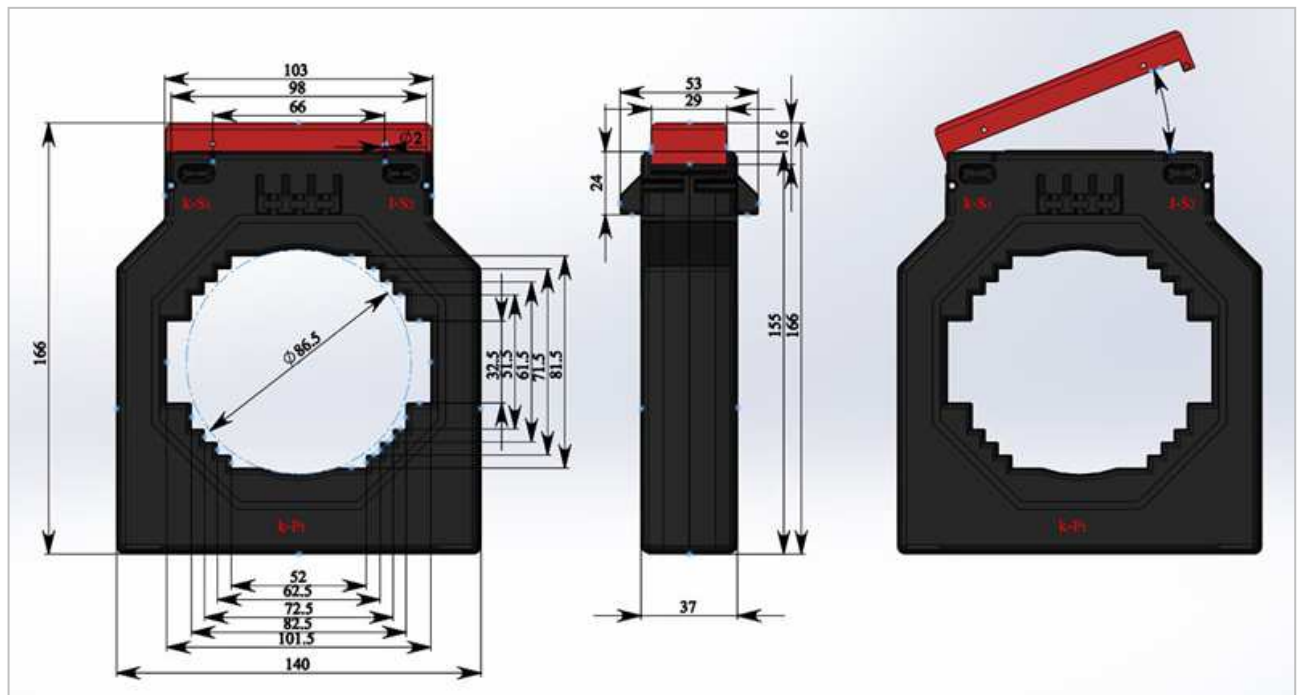
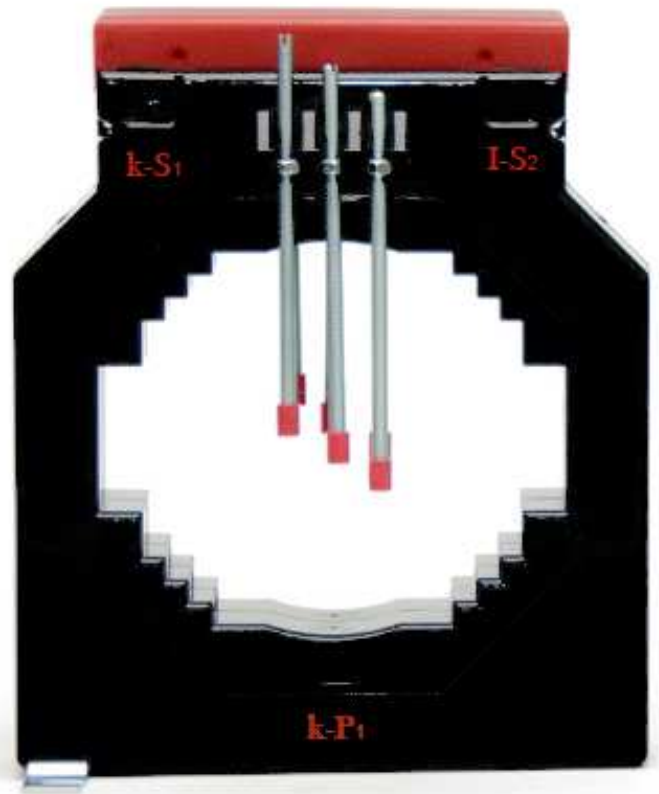


CURRENT TRANSFORMER

SVT-155/B

Technical parameters:

- Primary current: 200A-3000A
- Secondary current: 5A or 1A
- Accuracy classes: 0,2s...3
- Output: max 60VA
- Hole size: hole 2x100x10mm Ø 86mm
- Rated current: 720V
- Nominal frequency: 50-60Hz
- Operating temperature: -20°C + 45°C
- Insulation class: E (120°C max)
- Tested under voltage: 3 kV/1 min/50Hz
- Instrument security factor (FS): 5; 10
- Weight: 905 - 1105 g.





CURRENT TRANSFORMER

Transformers – series SVT-155/B

Primary current	Output	Secondary current 1A						Secondary current 5A					
		Accuracy class						Accuracy class					
		0,2s	0,2	0,5s	0,5	1	3	0,2s	0,2	0,5s	0,5	1	3
A	VA	Code	Code	Code	Code	Code	Code	Code	Code	Code	Code	Code	Code
200	1,5				4187	4188					4187-5A	4188-5A	
	3,75					4189						4189-5A	
	5						4190						4190-5A
250	2,5				4191						4191-5A		
	5					4192						4192-5A	
300	3,75				4193						4193-5A		
	5					4194						4194-5A	
	7,5					4195						4195-5A	
	10						4196						4196-5A
400	1,5		4197						4197-5A				
	2,5			4198						4198-5A			
	5				4199	4200					4199-5A	4200-5A	
	7,5				4201						4201-5A		
	10					4202						4202-5A	
	12,5						4203						4203-5A
500	1,5	4204						4204-5A					
	2,5	4205	2406					4205-5A	2406-5A				
	3,75			4207						4207-5A			
	5				4208	4209					4208-5A	4209-5A	
	10				4210	4211					4210-5A	4211-5A	
	12,5					4212						4212-5A	
600	2,5	4213	4214					4213-5A	4214-5A				
	3,75	4215	4217	4216				4215-5A	4217-5A	4216-5A			
	5			4218	4219	4220				4218-5A	4219-5A	4220-5A	
	10				4221	4222					4221-5A	4222-5A	
	12,5					4223						4223-5A	
	15					4224						4224-5A	
	20						4225						4225-5A
750	3,75	4226						4226-5A					
	5	4227	4229	4228	4230	4231		4227-5A	4229-5A	4228-5A	4230-5A	4231-5A	
	10				4232	4233					4232-5A	4233-5A	
	15				4234	4235					4234-5A	4235-5A	
	20					4236						4236-5A	
	30						4237						4237-5A
800	5	4238	4240	4239	4241	4242		4238-5A	4240-5A	4239-5A	4241-5A	4242-5A	
	10				4243	4244					4243-5A	4244-5A	
	15				4245	4246					4245-5A	4246-5A	
	20					4247						4247-5A	
	30						4248						4248-5A
1000	5	4149	4251	4250	4252	4253		4149-5A	4251-5A	4250-5A	4252-5A	4253-5A	
	10	4254	4256	4255	4257	4258		4254-5A	4256-5A	4255-5A	4257-5A	4258-5A	
	15				4259	4260					4259-5A	4260-5A	
	20					4261						4261-5A	
	20						4262						4262-5A
	30												

Please see more options of current transformers at the next page



CURRENT TRANSFORMER

Transformers – series SVT-155/B

Primary current	Output	Secondary current 1A						Secondary current 5A					
		Accuracy class						Accuracy class					
		0,2s	0,2	0,5s	0,5	1	3	0,2s	0,2	0,5s	0,5	1	3
A	VA	Code	Code	Code	Code	Code	Code	Code	Code	Code	Code	Code	Code
1200	5	4263	4265	4264	4266	4267		4263-5A	4265-5A	4264-5A	4266-5A	4267-5A	
	10	4268	4270	4269	4271	4272		4268-5A	4270-5A	4269-5A	4271-5A	4272-5A	
	15		4274	4273	4275	4276			4274-5A	4273-5A	4275-5A	4276-5A	
	30					4277						4277-5A	
1250	5	4278	4280	4279	4281	4282		4278-5A	4280-5A	4279-5A	4281-5A	4282-5A	
	10	4283	4285	4284	4286	4287		4283-5A	4285-5A	4284-5A	4286-5A	4287-5A	
	15		4289	4288	4290	4291			4289-5A	4288-5A	4290-5A	4291-5A	
	30					4292						4292-5A	
1500	5	4293	4295	4294	4296	4297		4293-5A	4295-5A	4294-5A	4296-5A	4297-5A	
	10	4298	4300	4299	4301	4302		4298-5A	4300-5A	4299-5A	4301-5A	4302-5A	
	15		4304	4303	4305	4306			4304-5A	4303-5A	4305-5A	4306-5A	
	20		4307						4307-5A				
	30					4308						4308-5A	
1600	5	4309	4311	4310	4312	4313		4309-5A	4311-5A	4310-5A	4312-5A	4313-5A	
	10	4314	4316	4315	4317	4318		4314-5A	4316-5A	4315-5A	4317-5A	4318-5A	
	15		4320	4319	4321	4322			4320-5A	4319-5A	4321-5A	4322-5A	
	20		4323						4323-5A				
	30				4324	4325						4324-5A	4325-5A
	45					4326						4326-5A	
2000	5	4327	4329	4328	4330	4331		4327-5A	4329-5A	4328-5A	4330-5A	4331-5A	
	10	4332	4334	4333	4335	4336		4332-5A	4334-5A	4333-5A	4335-5A	4336-5A	
	15		4338	4337	4339	4340			4338-5A	4337-5A	4339-5A	4340-5A	
	30		4341		4342	4343			4341-5A		4342-5A	4343-5A	
	45				4344	4345					4344-5A	4345-5A	
2500	5	4346	4348	4347	4349	4350		4346-5A	4348-5A	4347-5A	4349-5A	4350-5A	
	10	4351	4353	4352	4354	4355		4351-5A	4353-5A	4352-5A	4354-5A	4355-5A	
	15		4357	4356	4358	4359			4357-5A	4356-5A	4358-5A	4359-5A	
	20			4360						4360-5A			
	30		4361		4362	4363			4361-5A		4362-5A	4363-5A	
	45				4364	4365					4364-5A	4365-5A	
3000	5	4366	4368	4367	4369	4370		4366-5A	4368-5A	4367-5A	4369-5A	4370-5A	
	10	4371	4373	4372	4374	4375		4371-5A	4373-5A	4372-5A	4374-5A	4375-5A	
	15		4377	4376	4378	4379			4377-5A	4376-5A	4378-5A	4379-5A	
	20			4380						4380-5A			
	30		4381		4382	4383			4381-5A		4382-5A	4383-5A	
	60				4384	4385					4384-5A	4385-5A	

Important:
Upon request it is possible to manufacture current transformers types that differ from those in the table.

Order specification:
 Transformer name + Primary current + Secondary current + Accuracy class + Output + Code

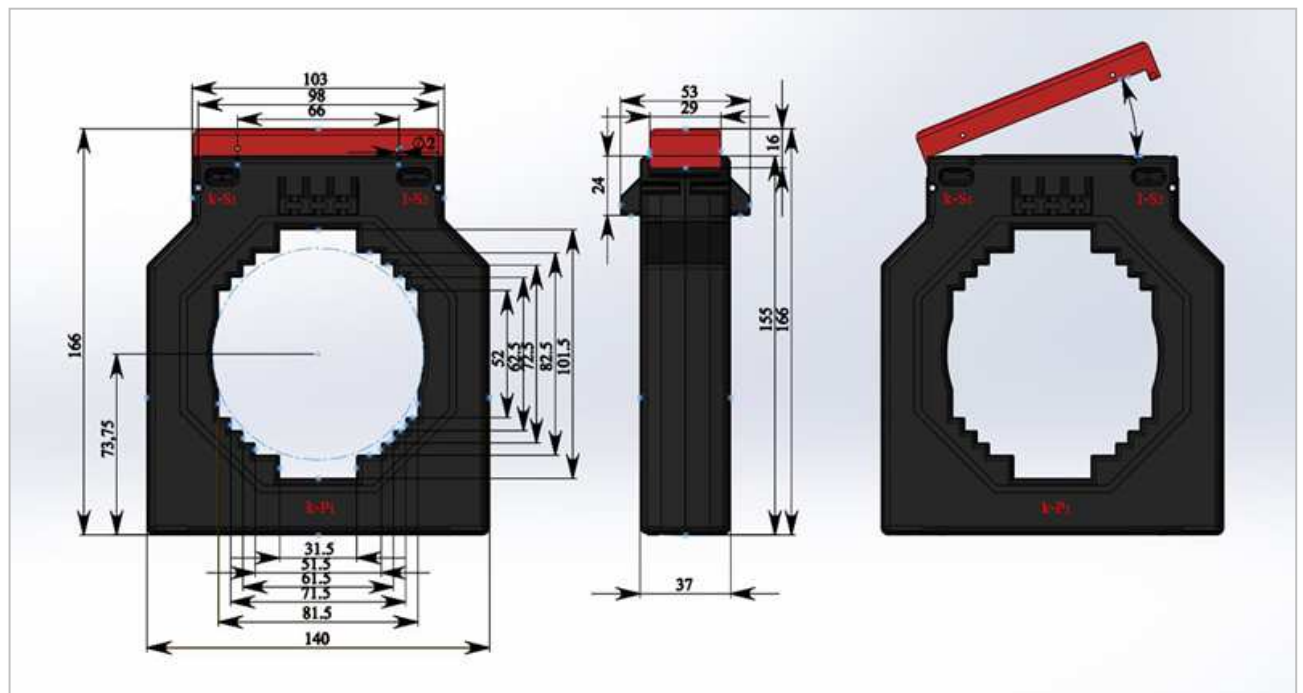
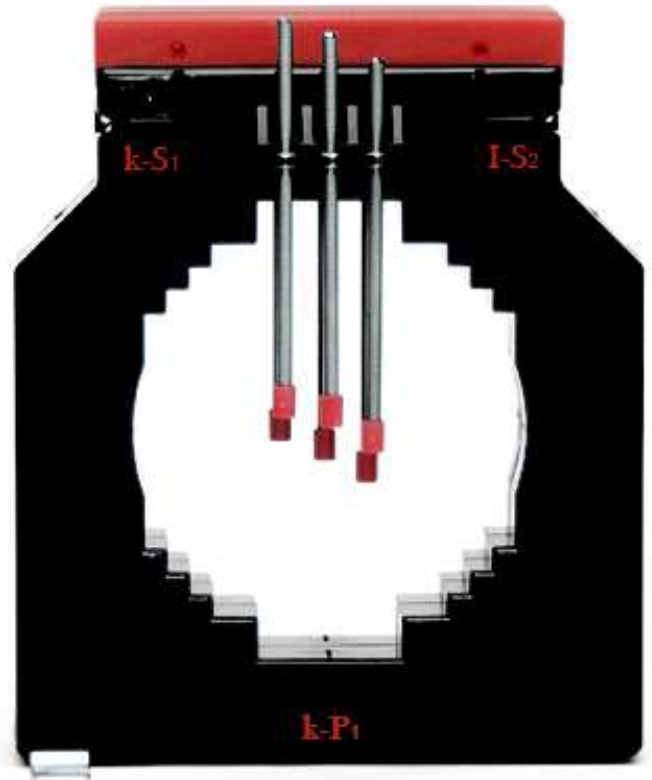


CURRENT TRANSFORMER

SVT-155/C

Technical parameters:

- Primary current: 200A-3000A
- Secondary current: 5A or 1A
- Accuracy classes: 0,2s...3
- Output: max 60VA
- Hole size: hole 2x100x10mm Ø 86mm
- Rated current: 720V
- Nominal frequency: 50-60Hz
- Operating temperature: -20°C + 45°C
- Insulation class: E (120°C max)
- Tested under voltage: 3 kV/1 min/50Hz
- Instrument security factor (FS): 5; 10
- Weight: 905 - 1105 g.





CURRENT TRANSFORMER

Transformers – series SVT-155/C

Primary current	Output	Secondary current 1A						Secondary current 5A					
		Accuracy class						Accuracy class					
		0,2s	0,2	0,5s	0,5	1	3	0,2s	0,2	0,5s	0,5	1	3
A	VA	Code	Code	Code	Code	Code	Code	Code	Code	Code	Code	Code	Code
200	1,5				4398	4399					4398-5A	4399-5A	
	3,75 5					4400	4401					4400-5A	4401-5A
250	2,5				4402						4402-5A		
	5					4403						4403-5A	
300	3,75				4404						4404-5A		
	5					4405						4405-5A	
	7,5 10					4406	4407					4406-5A	4407-5A
400	1,5		4408						4408-5A				
	2,5			4409						4409-5A			
	5				4410	4411					4410-5A	4411-5A	
	7,5				4412						4412-5A		
	10 12,5					4413	4414					4413-5A	4414-5A
500	1,5	4415						4415-5A					
	2,5	4416	4417					4416-5A	4417-5A				
	3,75			4418						4418-5A			
	5				4419	4420					4419-5A	4420-5A	
	10 12,5				4421	4422	4423				4421-5A	4422-5A	4423-5A
600	2,5	4424	4425					4424-5A	4425-5A				
	3,75		4427	4426					4427-5A	4426-5A			
	5			4428	4429	4430				4428-5A	4429-5A	4430-5A	
	10				4431	4432					4431-5A	4432-5A	
	12,5					4433						4433-5A	
	15 20					4434	4435					4434-5A	4435-5A
750	3,75	4436						4436-5A					
	5	4437	4439	4438	4440	4441		4437-5A	4439-5A	4438-5A	4440-5A	4441-5A	
	10				4442	4443					4442-5A	4443-5A	
	15				4444	4445					4444-5A	4445-5A	
	20 30					4446	4447					4446-5A	4447-5A
800	5	4448	4450	4449	4451	4452		4448-5A	4450-5A	4449-5A	4451-5A	4452-5A	
	10				4453	4454					4453-5A	4454-5A	
	15				4455	4456					4455-5A	4456-5A	
	20					4457						4457-5A	
	30						4458						4458-5A
1000	5	4459	4461	4460	4462	4463		4459-5A	4461-5A	4460-5A	4462-5A	4463-5A	
	10	4464	4466	4465	4467	4468		4464-5A	4466-5A	4465-5A	4467-5A	4468-5A	
	15				4469	4470					4469-5A	4470-5A	
	20					4471						4471-5A	
	30						4472						4472-5A

Please see more options of current transformers at the next page



CURRENT TRANSFORMER

Transformers – series SVT-155/C

Primary current	Output	Secondary current 1A						Secondary current 5A					
		Accuracy class						Accuracy class					
		0,2s	0,2	0,5s	0,5	1	3	0,2s	0,2	0,5s	0,5	1	3
A	VA	Code	Code	Code	Code	Code	Code	Code	Code	Code	Code	Code	Code
1200	5	4473	4475	4474	4476	4477		4473-5A	4475-5A	4474-5A	4476-5A	4477-5A	
	10	4478	4480	4479	4481	4482		4478-5A	4480-5A	4479-5A	4481-5A	4482-5A	
	15		4484	4483	4485	4486			4484-5A	4483-5A	4485-5A	4486-5A	
	30					4487						4487-5A	
1250	5	4488	4490	4489	4491	4492		4488-5A	4490-5A	4489-5A	4491-5A	4492-5A	
	10	4493	4495	4494	4496	4497		4493-5A	4495-5A	4494-5A	4496-5A	4497-5A	
	15		4499	4498	4500	4501			4499-5A	4498-5A	4500-5A	4501-5A	
	30					4502					4502-5A		
1500	5	4503	4505	4504	4506	4507		4503-5A	4505-5A	4504-5A	4506-5A	4507-5A	
	10	4508	4510	4509	4511	4512		4508-5A	4510-5A	4509-5A	4511-5A	4512-5A	
	15		4514	4513	4515	4516			4514-5A	4513-5A	4515-5A	4516-5A	
	20		4517						4517-5A				
	30					4518						4518-5A	
1600	5	4519	4521	4520	4522	4523		4519-5A	4521-5A	4520-5A	4522-5A	4523-5A	
	10	4524	4526	4525	4527	4528		4524-5A	4526-5A	4525-5A	4527-5A	4528-5A	
	15		4530	4529	4531	4532			4530-5A	4529-5A	4531-5A	4532-5A	
	20		4533						4533-5A				
	30				4534	4535					4534-5A	4535-5A	
	45					4536						4536-5A	
2000	5	4537	4539	4538	4540	4541		4537-5A	4539-5A	4538-5A	4540-5A	4541-5A	
	10	4542	4544	4543	4545	4546		4542-5A	4544-5A	4543-5A	4545-5A	4546-5A	
	15		4548	4547	4549	4550			4548-5A	4547-5A	4549-5A	4550-5A	
	30		4551		4552	4553			4551-5A		4552-5A	4553-5A	
	45				4554	4555					4554-5A	4555-5A	
2500	5	4556	4558	4557	4559	4560		4556-5A	4558-5A	4557-5A	4559-5A	4560-5A	
	10	4561	4563	4562	4564	4565		4561-5A	4563-5A	4562-5A	4564-5A	4565-5A	
	15		4567	4566	4568	4569			4567-5A	4566-5A	4568-5A	4569-5A	
	20			4570						4570-5A			
	30		4571		4572	4573			4571-5A		4572-5A	4573-5A	
	45				4574	4575					4574-5A	4575-5A	
3000	5	4576	4578	4577	4579	4580		4576-5A	4578-5A	4577-5A	4579-5A	4580-5A	
	10	4581	4583	4582	4584	4585		4581-5A	4583-5A	4582-5A	4584-5A	4585-5A	
	15		4587	4586	4588	4589			4587-5A	4586-5A	4588-5A	4589-5A	
	20			4590						4590-5A			
	30		4591		4592	4593			4591-5A		4592-5A	4593-5A	
	60				4594	4595					4594-5A	4595-5A	

Important:
Upon request it is possible to manufacture current transformers types that differ from those in the table.

Order specification:
 Transformer name + Primary current + Secondary current + Accuracy class + Output + Code

Contact us

Main office

Our address:	Ohradní 65, 145 01 Praha 4 - Michle Česká republika
Sales department:	+420775047343
e-mail:	vikodek@vikodek.cz

Representative office in Hungary

Address:	K transform kft Áramváltókereskedés Ignác Karolina ügyvezető igazgató Székhely: zezed Nyitra utca 11/B3/7
Sales department:	06 20/5625865
e-mail:	vikodek@vikodek.hu

Representative office in Germany

Address:	Stefan Tellingner Charles-De-Gaulle-Strasse 9 81737 München
Sales department:	+49 0178 780 33 56
e-mail:	vikodek@vikodek.de



We are always open for cooperation!

